



**FRANZ
SAUERMANN**
SPRITZGUSSTECHNIK



**FRANZ
SAUERMANN** GmbH
KOTFLÜGEL- UND KUNSTSTOFFTEILEFABRIK

CATALOGUE 2011





**FRANZ
SAUERMANN**
SPRITZGUSSTECHNIK

Franz Sauermann e.K.
Lauterbacher Weg 2a
86529 Schrobenhausen
Tel.: 08252 / 9050-0
Fax: 08252 / 9050-66



**FRANZ
SAUERMANN**
KOTFLÜGEL- UND KUNSTSTOFFTEILEFABRIK

Franz Sauermann GmbH
Hansastraße 2
86558 Freinhausen
Tel.: 08446 / 9205-0
Fax: 08446 / 9205-666

Index

Company information	Page 3 – 6
Plastic fender for car trailer and trucks	
Car trailer	Page 7 – 10
Semicircle fender truck-superstructures	Page 11
Semicircle fender truck/trailer	Page 12 – 21
Semicircle truck	Page 22 – 22
Quadrant fender truck trailer	Page 26 – 30
Straight fendercovers truck trailer	Page 31 – 33
Double- and triple-axis fender trailer	Page 34 – 36
Straight fender middle parts truck trailer	Page 37
Front wheel fender truck-trailer	Page 38
Tractor fender	Page 43
Sheet metal fender	
Semicircle with or without rubber rim	Page 39
Double-axis fender	Page 40
Double-axis fender with rubber rim	Page 41
Double-axis fender of aluminum	Page 42
Splash guard systems	
Splash guard cover and takings	Page 44 – 45
Splash guard mats	Page 46 – 48
Fender holder of steel	
Fender holder	Page 49
Toolboxes & cases of plastic	
Plastic toolboxes & accessory for trucks and trailers	Page 50 – 54
Document-box	Page 55
Fire extinguisher case	Page 56
Toolbox for car trailer	Page 57
Fuel tank of plastic	
Fuel tank for cooling trailers	Page 58
General	
General terms of sale	Page 59 - 60
Directions sketch	Page 61



Locations

Plant in Schrobenhausen

Injection moulding – Rotomoulding – Extrusion – Tool construction



Plant in Freinhausen

Rotomoulding



Auszeichnungen

Trucknology Supplier 2006



Honor as a best thermoplastic supplier who MAN AG by the executive committee Mr. Dr. Schaller and the chief of the purchase Mrs. Buchhauser.

Fiat Qualitas Awards



From entire Fiat Group we were world-wide distinguished as one of the best 35 suppliers. The price was lent by Mr. Spaltini, Mr. Coda and Mr Cerutti.

Supplier Performance Awards



2005, 2006, 2007, 2009 und 2010 we received these awarding form the John Deere works.

Approval criteria:

- Quality
- Punctual delivery
- Pricing
- Technical support
- Cooperation



Bavaria's Best 50 - 2007

Honored by the Bavarian minister of economy Huber.

BAYERN'S BEST 50

PREISTRÄGER 2007



Bavaria's Best 50 - 2008

Honored by the Bavarian minister of economy Müller.

BAYERN'S BEST 50

PREISTRÄGER 2008





Management Service

ZERTIFIKAT

Die Zertifizierungsstelle
der TÜV SÜD Management Service GmbH
bescheinigt, dass das Unternehmen



FRANZ SAUERMANN GmbH
KOTFLÜGEL- UND KUNSTSTOFFTEILEFABRIK



FRANZ SAUERMANN e.K.
SPRITZGUSSTECHNIK

Hansastraße 2
D-86558 Freinhausen

Lauterbacher Weg 2a
D-86529 Schrobenhausen

für den Geltungsbereich

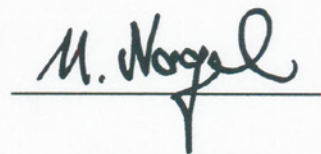
**Entwicklung, Herstellung und Vertrieb
von Kunststoffteilen für die Automobilindustrie**

ein Qualitätsmanagementsystem
eingeführt hat und anwendet.

Durch ein Audit, Bericht-Nr. **70006412**
wurde der Nachweis erbracht, dass die Forderungen der

ISO 9001:2008

erfüllt sind. Dieses Zertifikat ist gültig bis **2012-10-24**
Zertifikat-Registrier-Nr. **12 100 10061 TMS**

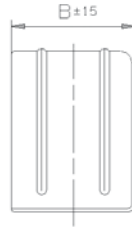
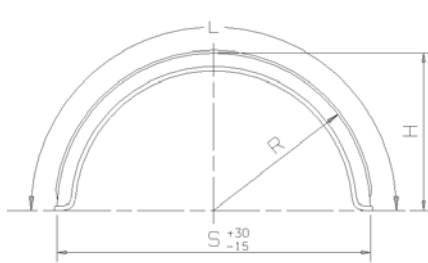


München, 2009-12-15



QMS-TGA-ZM-07-92

Plastic fenders for car trailer



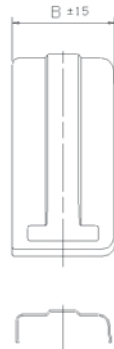
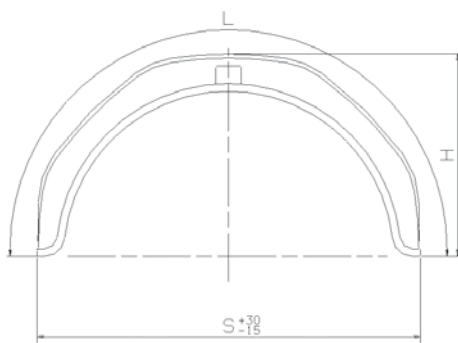
Product description:

- Good cooling flexibility and heat resistance (Temperature range: -40°C to approx. +80°C)
- UV-stability
- High tear resistance
- Good tensile strength

Material: PE = Polyethylene
Colour: black (Special colours on demand)

Type-No.	Name	B Width mm	R Radius mm	L Length mm	S Range	H Height mm	Weight kg
1011 20 120	H-PE 20.750.12/12	200	375	1200	750	390	1,0
1011 22 120	H-PE 22.750.12/12	220	375	1200	750	390	1,1
1011 22 130	H-PE 22.800.13/12	220	400	1290	800	415	1,2
1011 24 120	H-PE 24.750.12/12	240	375	1200	750	390	1,2
1011 24 130	H-PE 24.800.13/12	240	400	1285	800	415	1,2
1011 26 130	H-PE 26.800.13/12	260	400	1280	800	415	1,4

Plastic fender for car trailer



Product description:

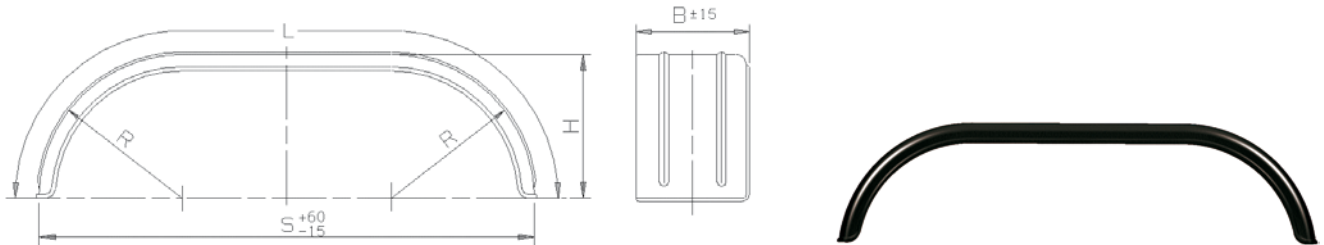
- Good cooling flexibility and heat resistance (Temperature range: -40°C to approx. +80°C)
- UV-stability
- High tear resistance
- Good tensile strength

Material: PE = Polyethylene

Colour: black (Special colours on demand)

Type-No.	Name	B Width mm	L Length mm	S Range	H Height mm	Weight kg
1011 16 091	H-PE 16.560.09/12 E	160	900	600	275	0,7
1011 20 111	H-PE 20.660.11/12 E	200	1050	680	330	1,25
1011 20 121	H-PE 20.750.12/12 E	200	1200	750	390	1,3
1011 21 121	H-PE 21.750.12/12 E	220	1200	750	390	1,35
1011 21 131	H-PE 21.800.13/12 E	220	1300	800	415	1,4
1011 23 121	H-PE 23.750.12/12 E	230	1200	750	390	1,4
1011 23 131	H-PE 23.800.13/12 E	240	1300	800	415	1,5
1011 26 131	H-PE 26.800.13/12 E	260	1300	800	415	1,6

Plastic double-axis-fender for car trailer



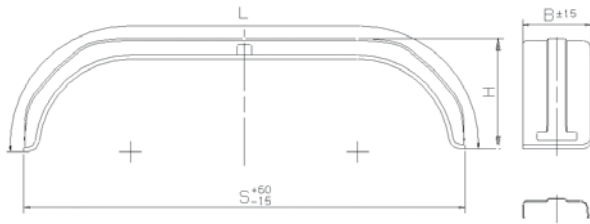
Product description:

- Good cooling flexibility and heat resistance (Temperature range: -40°C to approx. +80°C)
- UV-stability
- High tear resistance
- Good tensile strength

Material: PE = Polyethylene
Colour: black (Special colours on demand)

Type-No.	Name	BI Width mm	R Radius mm	L Length mm	S Range	H Height mm	Weight kg
1031 18 150	DK-PE 18.1150.15/12	180	310	1500	1150	325	1,2
1031 22 200	DK-PE 22.1550.20/12	220	375	1970	1550	375	2,0
1031 24 200	DK-PE 24.1500.20/12	240	400	1970	1500	380	2,2

Plastic-double-axis-fender for car trailer



Product description:

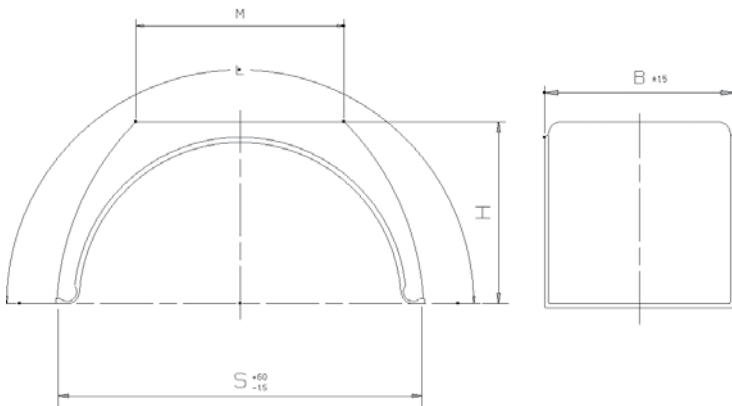
- Good cooling flexibility and heat resistance (Temperature range: -40°C to approx. +80°C)
- UV-stability
- High tear resistance
- Good tensile strength

Material: PE = Polyethylene

Colour: black (Special colours on demand)

Type-No.	Name	B Width mm	L Length mm	S Range	H Height mm	Weight kg
1031 21 181	DK-PE 21.1390.18/12 E	220	1820	1390	380	2,2
1031 21 201	DK-PE 21.1550.20/12 E	220	1970	1550	380	2,4
1031 23 201	DK-PE 23.1550.20/12 E	240	1970	1550	380	2,5
1031 25 201	DK-PE 25.1500.20/12 E	260	1970	1550	380	2,6

Plastic-back wheel-fender for single- and dual tires



Product description:

- Good cooling flexibility and heat resistance (Temperature range: -40°C to approx. +80°C)
- UV-stability
- High tear resistance
- Good tensile strength

Material: PE = Polyethylene
Colour: black (Special colours on demand)

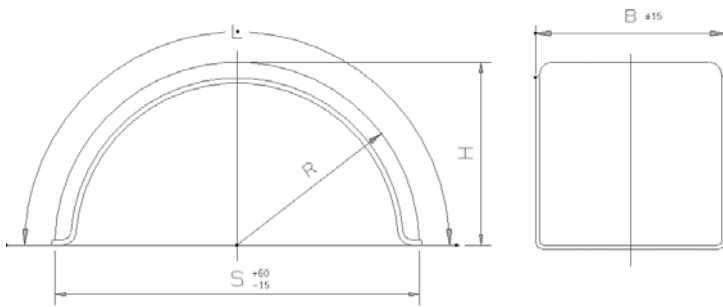
Type-No.	Name	B Width mm	M Centerpiece	L Length mm	S Range	H Height mm	Weight kg
1010 28 151	H-PE 28.890.15 E	280	400	1490	890	480	2,1
1010 45 141	H-PE 45.860.14 E	450	400	1400	860	425	2,9
1010 45 171	H-PE 45.1000.17 E	450	520	1680	980	520	3,5
1010 45 172	H-PE 45.1000.17 EMS	450	520	1680	980	520	3,5
1010 51 171	H-PE 51.1005.17 E	510	550	1770	1050	550	3,9
1010 51 172	H-PE 51.1005.17 EMS	510	550	1770	1050	550	3,9
1010 51 173	H-PE 51.1005.17 EMSL	510	550	1770	1080	550	4,2
1010 55 191	H-PE 55.1105.19 E	550	650	1870	1150	550	4,7

Types:

EMS = with inbuilt side-lights

EMSL = with inbuilt side-lights and splash-rag

Plastic-back wheel-fender for single- and dual tires



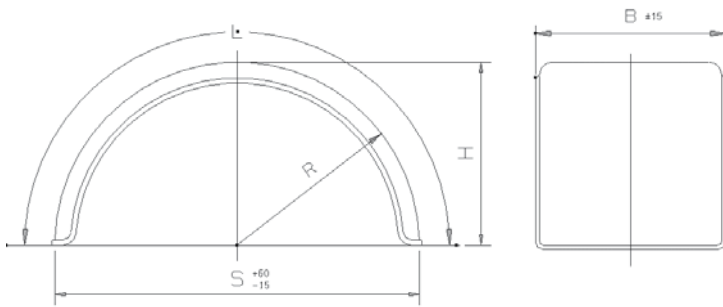
Product description:

- Good cooling flexibility and heat resistance (Temperature range: -40°C to approx. +80°C)
- UV-stability
- High tear resistance
- Good tensile strength

Material: PE = Polyethylene
Colour: black (Special colours on demand)

Type-No.	Name	B Width mm	R Radius mm	L Length mm	S Range	H Height mm	Weight kg
I010 24 150	H-PE 24.900.15	240	450	1470	900	480	1,5
I010 30 170	H-PE 30.1120.17	300	560	1710	1120	540	2,5
I010 35 220	H-PE 35.1340.22	350	670	2150	1340	710	3,8
I010 40 150	H-PE 40.900.15	400	450	1470	900	480	2,6
I010 40 200R	H-PE 40.1160.20	400	580	1940	1160	640	3,4
I010 40 200S	H-PE 40.1280.20	400	640	2010	1280	640	3,2
I010 40 210	H-PE 40.1340.21	is replaced by I010 40 200S					
I010 40 230	H-PE 40.1440.23	400	720	2270	1440	730	4,8
I010 41 210	H-PE 41.1240.21	is replaced by I010 40 200S					
I010 45 150	H-PE 45.900.15	450	450	1500	900	490	2,9
I010 45 170	H-PE 45.1130.17	450	565	1700	1130	530	3,5
I010 45 190	H-PE 45.1300.19	is replaced by I010 45 200					
I010 45 200	H-PE 45.1280.20	450	640	2010	1280	640	3,6
I010 45 210	H-PE 45.1300.21	is replaced by I010 45 200					
I010 48 170	H-PE 48.1020.17	480	510	1650	1020	535	3,3
I010 50 180	H-PE 50.1120.18	500	560	1800	1120	580	3,7

Plastic-back wheel-fender for single- and dual tires



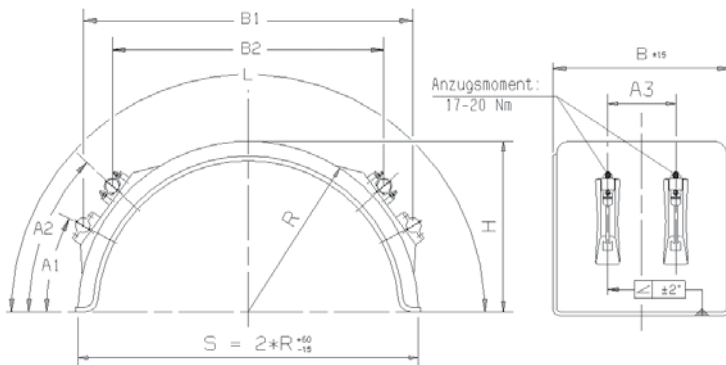
Product description:

- Good cooling flexibility and heat resistance (Temperature range: -40°C to approx. +80°C)
- UV-stability
- High tear resistance
- Good tensile strength

Material: PE = Polyethylene
Colour: black (Special colours on demand)

Type-No.	Name	B Width mm	R Radius mm	L Length mm	S Range	H Height mm	Weight kg
1010 51 170	H-PE 51.1020.17	510	510	1680	1020	550	3,7
1010 53 170	H-PE 53.1130.17	530	565	1680	1130	520	3,3
1010 55 170	H-PE 55.1000.17	550	500	1640	1000	540	3,8
1010 56 200	H-PE 56.1280.20	560	640	1930	1280	600	4,5
1010 60 170	H-PE 60.1100.17	600	550	1670	1100	520	4,4
1010 60 180	H-PE 60.1100.18	600	550	1800	1100	600	4,8
1010 61 210	H-PE 61.1320.21	610	660	2070	1320	660	5,1
1010 62 170	H-PE 62.1130.17	620	565	1680	1130	520	5,0
1010 65 180	H-PE 65.1100.18	650	550	1800	1100	600	5,1
1010 65 190	H-PE 65.1300.19	650	650	1900	1300	570	5,2
1010 65 210	H-PE 65.1300.21	650	650	2070	1300	650	5,4
1010 67 210	H-PE 67.1380.21	670	690	2070	1380	650	5,6
1010 70 180	H-PE 70.1100.18	700	550	1830	1100	600	5,7
1010 70 200	H-PE 70.1260.20	700	630	1980	1260	630	5,9
1010 70 210	H-PE 70.1340.21	700	670	2105	1340	630	6,1

Plastic-back wheel-fender IKK for single- and dual tires



Product description:

- **NEW:** with inbuilt holder (of a piece)

- Good cooling flexibility and heat resistance (Temperature range: -40°C to approx. +80°C)

- UV-stability

- High tear resistance

- Good tensile strength

Material:

PE = Polyethylene

Colour:

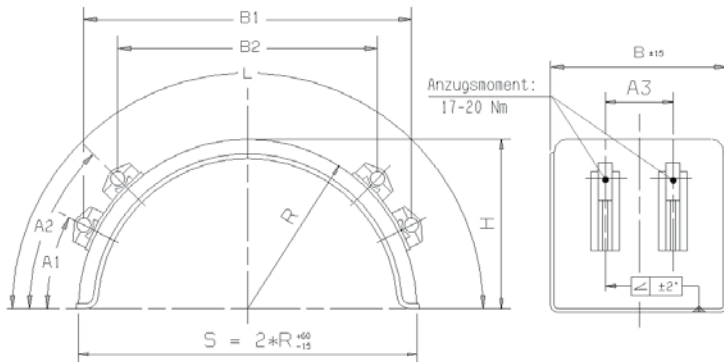
black (Special colours on demand)

Fender holder:

inbuilt

Type-No.	Name	B Width mm	R Radius mm	L Length mm	H Height mm	AI mm	A2 mm	A3 mm	BI mm	B2 mm	Weight kg
1012 40 200R	H-PE 40.1160.20-IKK	400	580	1940	640	480	640	150	935	675	5,0
1012 40 200S	H-PE 40.1280.20-IKK	400	640	2010	640	500	660	150	956	716	3,9
1012 40 210	H-PE 40.1300.21-IKK	is replaced by 1012 40 200S									
1012 41 200	H-PE 41.1280.20-IKK	is replaced by 1012 40 200S									
2122 41 210	H-PE 41.1240.21-IKK	410	620	2100	620	340	500	250	1226	1090	5,0
2122 41 219	H-PE 41.1240.21-IKK	410	620	2100	620	430	590	250	1137	967	5,0
1012 45 180	H-PE 45.1140.18-IKK	450	570	1750	550	380	540	150	945	720	4,7
1012 45 190	H-PE 45.1300.19-IKK	is replaced by 1012 45 200									
1012 45 200	H-PE 45.1280.20-IKK	450	640	2010	640	500	660	200	956	716	4,2
1012 45 210	H-PE 45.1300.21-IKK	is replaced by 1012 45 200									
1012 48 170	H-PE 48.1060.17-IKK	480	530	1650	640	380	540	150	840	600	4,1
1012 50 180	H-PE 50.1140.18-IKK	500	570	1750	550	380	540	300	945	720	4,8
1012 51 170	H-PE 51.1060.17-IKK	510	530	1650	520	380	540	300	840	600	4,5
1012 53 180	H-PE 53.1140.18-IKK	530	570	1750	550	380	540	300	945	720	4,7
1012 55 170	H-PE 55.1060.17-IKK	550	530	1650	520	380	540	300	840	600	4,8
1012 60 180	H-PE 60.1140.18-IKK	600	570	1750	550	380	540	300	945	720	5,8
1012 61 210	H-PE 61.1300.21-IKK	610	650	2100	680	480	640	300	1060	835	6,2
1012 65 180	H-PE 65.1140.18-IKK	650	570	1750	550	380	540	300	945	720	6,2
1012 65 190	H-PE 65.1300.19-IKK	650	650	1900	580	430	590	300	985	745	6,3
1012 65 210	H-PE 65.1300.21-IKK	650	650	2100	680	480	640	300	1060	835	6,3
1012 67 210	H-PE 67.1380.21-IKK	670	690	2100	655	480	640	300	1050	810	6,4

Plastic-back wheel-fender KK for single- and dual tires



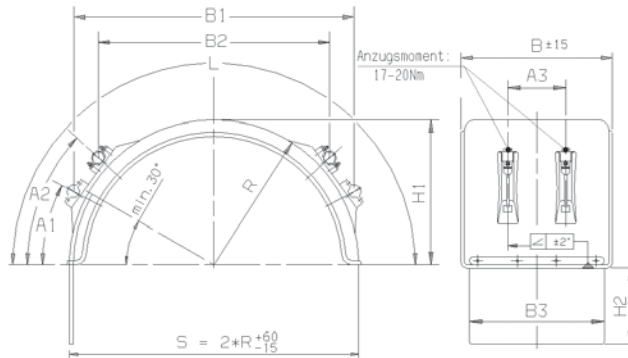
Product description:

- Good cooling flexibility and heat resistance (Temperature range: -40°C to approx. +80°C)
- UV-stability
- High tear resistance
- Good tensile strength

Material: PE = Polyethylene
Colour: black (Special colours on demand)
Fender holder: welded on

Type-No.	Name	B Width mm	R Radius mm	L Length mm	H Height mm	A1 mm	A2 mm	A3 mm	B1 mm	B2 mm	Weight kg
1012 30 170	H-PE 30.1120.17-KK	300	560	1700	540	380	540	150	900	640	3,6
1012 35 220	H-PE 35.1340.22-KK	350	670	2150	710	480	640	150	1110	865	4,8
1012 40 150	H-PE 40. 900.15-KK	400	450	1470	480	330	490	150	775	515	3,9
1012 40 230	H-PE 40.1440.23-KK	400	720	2260	730	480	640	150	1200	960	5,0
1012 45 150	H-PE 45. 900.15-KK	450	450	1520	490	330	490	150	810	560	4,0
1012 53 200	H-PE 53.1280.20-KK	530	640	1930	600	405	565	300	1220	1040	5,4
1012 56 200	H-PE 56.1280.20-KK	560	640	1930	600	405	565	300	1220	1040	5,5
1012 60 170	H-PE 60.1100.17-KK	600	550	1670	520	380	540	300	875	605	5,4
1012 62 170	H-PE 62.1130.17-KK	620	565	1680	520	380	540	300	890	620	6,0
1012 70 180	H-PE 70.1100.18-KK	700	550	1830	600	380	540	300	985	750	6,6
1012 70 200	H-PE 70.1260.20-KK	700	630	1980	630	290	440	300	1212	1036	6,8
1012 70 210	H-PE 70.1340.21-KK	700	670	2105	670	310	460	300	1280	1105	6,9

Plastic-back wheel-fender IKK for single- and dual tires with splash guard system



Product description:

- **NEW:** with inbuilt holder (of a piece)
- With bolt-on splash guard system (AS) in fender (types like MAN-TGA or TGM and TGL)
- Good cooling flexibility and heat resistance (Temperature range: -40°C to approx. +80°C)
- UV-stability
- High tear resistance
- Good tensile strength
- Tightening torque M6 x 25 4 N/m
- Complies to EWG-guideline 91/226

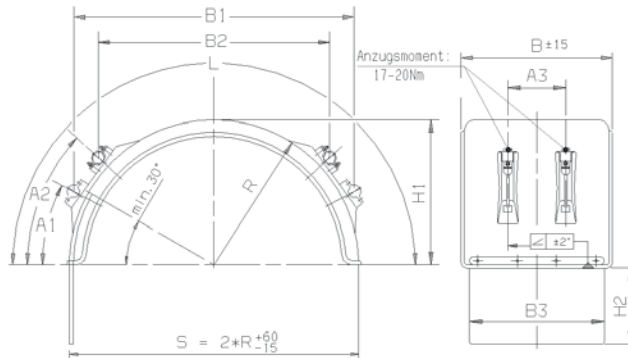
Material: PE = Polyethylene
Colour: black (Special colours on demand)
Fender holder: inbuilt

Emblem-print:

- Unicoloured on splash rags possible for an extra charge

Type-No.	Name	B Width mm	R Radius mm	L Length mm	HI Height mm	H2 Height mm	A1 mm	A2 mm	A3 mm	B1 mm	B2 mm	B3 mm	Weight kg
1017 45 18124	4518 IKK AS 124	450	570	1750	550	124	380	540	150	945	720	520	6,0
1017 45 18217	4518 IKK AS 217	450	570	1750	550	217	380	540	150	945	720	520	6,3
1017 45 18310	4518 IKK AS 310	450	570	1750	550	310	380	540	150	945	720	520	6,4
1017 45 18376	4518 IKK AS 376	450	570	1750	550	376	380	540	150	945	720	520	6,7
1017 45 20124	4520 IKK AS 124	450	640	2010	580	124	500	660	150	956	716	520	6,7
1017 45 20217	4520 IKK AS 217	450	640	2010	580	217	500	660	150	956	716	520	6,9
1017 45 20310	4520 IKK AS 310	450	640	2010	580	310	500	660	150	956	716	520	7,2
1017 45 20376	4520 IKK AS 376	450	640	2010	580	376	500	660	150	956	716	520	7,3
1017 48 17124	4817 IKK AS 124	480	530	1650	520	124	380	540	300	840	600	520	5,5
1017 48 17217	4817 IKK AS 217	480	530	1650	520	217	380	540	300	840	600	520	5,7

Plastic-back wheel-fender IKK for single- and dual tires with splash guard system



Product description:

- **NEW:** with inbuilt holder (of a piece)
- With bolt-on splash guard system (AS) in fender (types like MAN-TGA or TGM and TGL)
- Good cooling flexibility and heat resistance (Temperature range: -40°C to approx. +80°C)
- UV-stability
- High tear resistance
- Good tensile strength
- Tightening torque M6 x 25 4 N/m
- Complies to EWG-guideline 91/226

Material:

PE = Polyethylene

Colour:

black (Special colours on demand)

Fender holder:

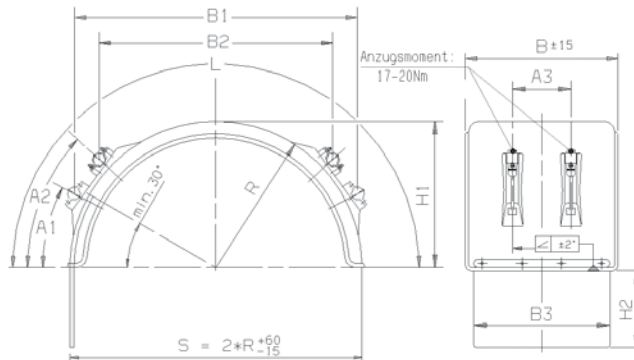
inbuilt

Emblem-print:

- Unicoloured on splash rags possible for an extra charge

Type-No.	Name	B Width mm	R Radius mm	L Length mm	HI Height mm	H2 Height mm	A1 mm	A2 mm	A3 mm	B1 mm	B2 mm	B3 mm	Weight kg
1017 48 17310	4817 IKK AS 310	480	530	1650	520	310	380	540	300	840	600	520	6,0
1017 48 17376	4817 IKK AS 376	480	530	1650	520	376	380	540	300	840	600	520	6,2
1017 50 18124	5018 IKK AS 124	500	570	1750	550	124	380	540	300	945	720	520	6,2
1017 50 18217	5018 IKK AS 217	500	570	1750	550	217	380	540	300	945	720	520	6,5
1017 50 18310	5018 IKK AS 310	500	570	1750	550	310	380	540	300	945	720	520	6,7
1017 50 18376	5018 IKK AS 376	500	570	1750	550	376	380	540	300	945	720	520	6,8
1017 51 17124	5117 IKK AS 124	510	530	1650	520	124	380	540	300	840	600	520	5,9
1017 51 17217	5117 IKK AS 217	510	530	1650	520	217	380	540	300	840	600	520	6,1
1017 51 17310	5117 IKK AS 310	510	530	1650	520	310	380	540	300	840	600	520	6,4
1017 51 17376	5117 IKK AS 310	510	530	1650	520	376	380	540	300	840	600	520	6,5
1017 53 18124	5318 IKK AS 124	530	570	1750	550	124	380	540	300	945	720	520	6
1017 53 18217	5318 IKK AS 217	530	570	1750	550	217	380	540	300	945	720	520	6,3
1017 53 18310	5318 IKK AS 310	530	570	1750	550	310	380	540	300	945	720	520	6,6
1017 53 18376	5318 IKK AS 376	530	570	1750	550	376	380	540	300	945	720	520	6,8

Plastic-back wheel-fender IKK for single- and dual tires with splash guard system



Product description:

- **NEW:** with inbuilt holder (of a piece)
- With bolt-on splash guard system (AS) in fender (types like MAN-TGA or TGM and TGL)
- Good cooling flexibility and heat resistance (Temperature range: -40°C to approx. +80°C)
- UV-stability
- High tear resistance
- Good tensile strength
- Tightening torque M6 x 25 4 N/m
- Complies to EWG-guideline 91/226

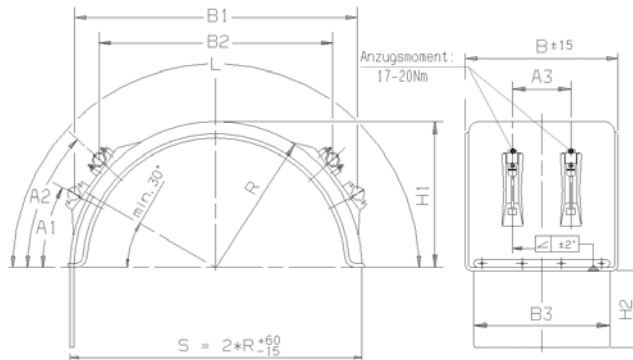
Material: PE = Polyethylene
Colour: black (Special colours on demand)
Fender holder: inbuilt

Emblem-print:

- Unicoloured on splash rags possible for an extra charge

Type-No.	Name	B Width mm	R Radius mm	L Length mm	H1 Height mm	H2 Height mm	A1 mm	A2 mm	A3 mm	B1 mm	B2 mm	B3 mm	Weight kg
1017 55 17124	5517 IKK AS 124	550	530	1650	520	124	380	540	300	840	600	520	6,2
1017 55 17217	5517 IKK AS 217	550	530	1650	520	217	380	540	300	840	600	520	6,4
1017 55 17310	5517 IKK AS 310	550	530	1650	520	310	380	540	300	840	600	520	6,7
1017 55 17376	5517 IKK AS 376	550	530	1650	520	376	380	540	300	840	600	520	6,9
1017 60 18124	6018 IKK AS 124	600	570	1750	550	124	380	540	300	945	720	520	7,0
1017 60 18217	6018 IKK AS 217	600	570	1750	550	217	380	540	300	945	720	520	7,4
1017 60 18310	6018 IKK AS 310	600	570	1750	550	310	380	540	300	945	720	520	7,7
1017 60 18376	6018 IKK AS 376	600	570	1750	550	376	380	540	300	945	720	520	8,1
1017 61 21124	6121 IKK AS 124	610	650	2100	680	124	480	640	300	1060	835	520	7,8
1017 61 21217	6121 IKK AS 217	610	650	2100	680	217	480	640	300	1060	835	520	8,3
1017 61 21310	6121 IKK AS 310	610	650	2100	680	310	480	640	300	1060	835	520	8,6
1017 61 21376	6121 IKK AS 376	610	650	2100	680	376	480	640	300	1060	835	520	9,0
1017 65 18124	6518 IKK AS 124	650	570	1750	550	124	380	540	300	945	720	690	7,9
1017 65 18217	6518 IKK AS 217	650	570	1750	550	217	380	540	300	945	720	690	8,3

Plastic-back wheel-fender IKK for single- and dual tires with splash guard system



Product description:

- **NEW:** with inbuilt holder (of a piece)
- With bolt-on splash guard system (AS) in fender (types like MAN-TGA or TGM and TGL)
- Good cooling flexibility and heat resistance (Temperature range: -40°C to approx. +80°C)
- UV-stability
- High tear resistance
- Good tensile strength
- Tightening torque M6 x 25 4 N/m
- Complies to EWG-guideline 91/226

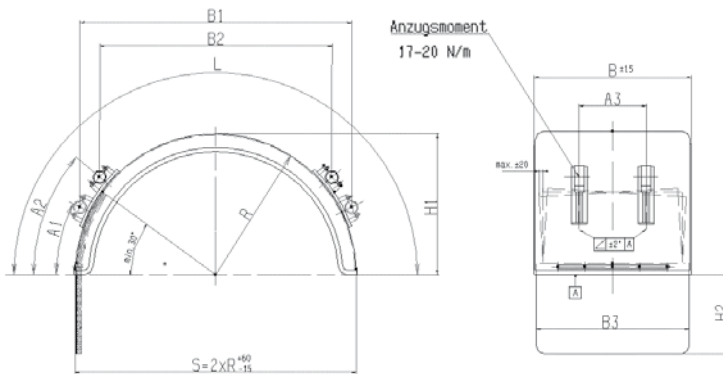
Material: PE = Polyethylene
Colour: black (Special colours on demand)
Fender holder: inbuilt

Emblem-print:

- Unicoloured on splash rags possible for an extra charge

Type-No.	Name	B Width mm	R Radius mm	L Length mm	H1 Height mm	H2 Height mm	A1 mm	A2 mm	A3 mm	B1 mm	B2 mm	B3 mm	Weight kg
1017 65 18310	6518 IKK AS 310	650	570	1750	550	310	380	540	300	945	720	690	8,6
1017 65 18376	6518 IKK AS 376	650	570	1750	550	376	380	540	300	945	720	690	9,0
1017 65 19124	6519 IKK AS 124	650	650	1900	580	124	430	590	300	985	745	690	8,0
1017 65 19217	6519 IKK AS 217	650	650	1900	580	217	430	590	300	985	745	690	8,4
1017 65 19310	6519 IKK AS 310	650	650	1900	580	310	430	590	300	985	745	690	8,6
1017 65 19376	6519 IKK AS 376	650	650	1900	580	376	430	590	300	985	745	690	9,0
1017 65 21124	6521 IKK AS 124	650	650	2100	680	124	480	640	300	1060	835	690	8,0
1017 65 21217	6521 IKK AS 217	650	650	2100	680	217	480	640	300	1060	835	690	8,4
1017 65 21310	6521 IKK AS 310	650	650	2100	680	310	480	640	300	1060	835	690	8,7
1017 65 21376	6521 IKK AS 376	650	650	2100	680	376	480	640	300	1060	835	690	9,1
1017 67 21124	6721 IKK AS 124	670	650	2100	680	124	480	640	300	1060	835	690	8,1
1017 67 21217	6721 IKK AS 217	670	690	2100	655	217	480	640	300	1050	810	690	8,5
1017 67 21310	6721 IKK AS 310	670	690	2100	655	310	480	640	300	1050	810	690	8,6
1017 67 21376	6721 IKK AS 376	670	690	2100	655	376	480	640	300	1050	810	690	9,2

Plastic-back wheel-fender KK for single- and dual tires with splash guard system



Product description:

- With bolt-on splash guard system (plastic ravel) in fender
- Good cooling flexibility and heat resistance (Temperature range: -40°C to approx. +80°C)
- UV-stability
- High tear resistance
- Good tensile strength
- Complies to EWG-guideline 91/226
- Tightening torque M6 x 25 4 N/m

Material:

PE = Polyethylene

Colour:

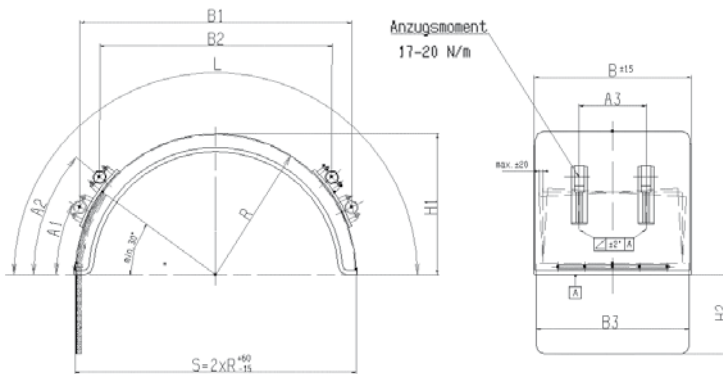
black (Special colours on demand)

Fender holder:

welded on

Type-No.	Name	B Width mm	R Radius mm	L Length mm	H1 Height mm	H2 Height mm	A1 mm	A2 mm	A3 mm	B1 mm	B2 mm	B3 mm	Weight kg
1017 30 1720	H-PE 30.1120.17-KK-AS 200	300	560	1700	540	200	380	540	150	900	640	270	4,0
1017 30 1725	H-PE 30.1120.17-KK-AS 250	300	560	1700	540	250	380	540	150	900	640	270	4,2
1017 30 1730	H-PE 30.1120.17-KK-AS 300	300	560	1700	540	300	380	540	150	900	640	270	4,4
1017 35 2225	H-PE 35.1340.22-KK-AS 250	350	670	2150	710	250	480	640	150	1110	865	320	5,4
1017 35 2230	H-PE 35.1340.22-KK-AS 300	350	670	2150	710	300	480	640	150	1110	865	320	5,6
1017 35 2235	H-PE 35.1340.22-KK-AS 350	350	670	2150	710	350	480	640	150	1110	865	320	5,8
1017 40 1520	H-PE 40. 900.15-KK-AS 200	400	450	1470	480	200	330	490	150	775	515	370	4,3
1017 40 1525	H-PE 40. 900.15-KK-AS 250	400	450	1470	480	250	330	490	150	775	515	370	4,5
1017 40 1530	H-PE 40. 900.15-KK-AS 300	400	450	1470	480	300	330	490	150	775	515	370	4,8
1017 40 2020	H-PE 40.1280.20-IKK-AS 200	400	640	2010	640	200	500	660	150	956	716	520	6,6
1017 40 2025	H-PE 40.1280.20-IKK-AS 250	400	640	2010	640	250	500	660	150	965	716	520	6,8
1017 40 2030	H-PE 40.1280.20-IKK-AS 300	400	640	2010	640	300	500	660	150	956	716	520	7,0
1017 40 2325	H-PE 40.1440.23-KK-AS 250	400	720	2260	730	250	480	640	150	1200	960	370	5,4
1017 40 2330	H-PE 40.1440.23-KK-AS 300	400	720	2260	730	300	480	640	150	1200	960	370	5,7
1017 40 2335	H-PE 40.1440.23-KK-AS 350	400	720	2260	730	350	480	640	150	1200	960	370	6,0
1017 45 1520	H-PE 45. 900.15-KK-AS 200	450	450	1520	490	200	330	490	150	810	560	420	4,4
1017 45 1525	H-PE 45. 900.15-KK-AS 250	450	450	1520	490	250	330	490	150	810	560	420	4,7
1017 45 1530	H-PE 45. 900.15-KK-AS 300	450	450	1520	490	300	330	490	150	810	560	420	5,0
1017 53 2025	H-PE 53.1280.20-KK-AS 250	530	640	1930	600	250	405	565	300	1220	1040	500	5,9
1017 53 2030	H-PE 53.1280.20-KK-AS 300	530	640	1930	600	300	405	565	300	1220	1040	500	6,3

Plastic-back wheel-fender KK for single- and dual tires with splash guard system



Product description:

- With bolt-on splash guard system (plastic ravel) in fender
- Good cooling flexibility and heat resistance (Temperature range: -40°C to approx. +80°C)
- UV-stability
- High tear resistance
- Good tensile strength
- Complies to EWG-guideline 91/226
- Tightening torque M6 x 25 4 N/m

Material:

PE = Polyethylene

Colour:

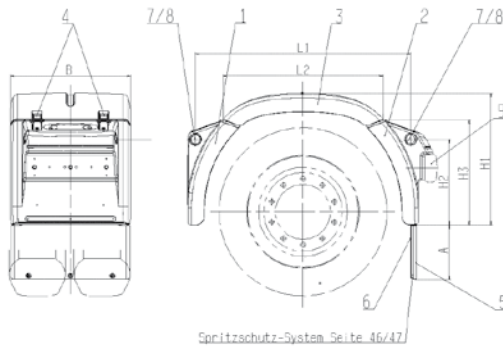
black (Special colours on demand)

Fender holder:

welded on

Type-No.	Name	B Width mm	R Radius mm	L Length mm	HI Height mm	H2 Height mm	A1 mm	A2 mm	A3 mm	B1 mm	B2 mm	B3 mm	Weight kg
1017 53 2035	H-PE 53.1280.20-KK-AS 350	530	640	1930	600	350	405	565	300	1220	1040	500	6,7
1017 56 2025	H-PE 56.1280.20-KK-AS 250	560	640	1930	600	250	405	565	300	1220	1040	530	6,1
1017 56 2030	H-PE 56.1280.20-KK-AS 300	560	640	1930	600	300	405	565	300	1220	1040	530	6,6
1017 56 2035	H-PE 56.1280.20-KK-AS 350	560	640	1930	600	350	405	565	300	1220	1040	530	6,9
1017 60 1720	H-PE 60.1100.17-KK-AS 200	600	550	1670	520	200	380	540	300	875	605	570	5,9
1017 60 1725	H-PE 60.1100.17-KK-AS 250	600	550	1670	520	250	380	540	300	875	605	570	6,3
1017 60 1730	H-PE 60.1100.17-KK-AS 300	600	550	1670	520	300	380	540	300	875	605	570	6,6
1017 62 1720	H-PE 62.1130.17-KK-AS 200	620	565	1680	520	200	380	540	300	890	620	590	6,5
1017 62 1725	H-PE 62.1130.17-KK-AS 250	620	565	1680	520	250	380	540	300	890	620	590	6,8
1017 62 1730	H-PE 62.1130.17-KK-AS 300	620	565	1680	520	300	380	540	300	890	620	590	7,0
1017 70 1820	H-PE 70.1100.18-KK-AS 200	700	550	1830	600	200	380	540	300	985	750	670	7,0
1017 70 1825	H-PE 70.1100.18-KK-AS 250	700	550	1830	600	250	380	540	300	985	750	670	7,3
1017 70 1830	H-PE 70.1100.18-KK-AS 300	700	550	1830	600	300	380	540	300	985	750	670	7,6
1017 70 2025	H-PE 70.1260.20-KK-AS 250	700	630	1980	630	250	290	440	300	1212	1036	670	7,2
1017 70 2030	H-PE 70.1260.20-KK-AS 300	700	630	1980	630	300	290	440	300	1212	1036	670	7,5
1017 70 2035	H-PE 70.1260.20-KK-AS 350	700	630	1980	630	350	290	440	300	1212	1036	670	7,8
1017 70 2125	H-PE 70.1340.21-KK-AS 250	700	670	2105	670	250	310	460	300	1280	1105	670	7,3
1017 70 2130	H-PE 70.1340.21-KK-AS 300	700	670	2105	670	300	310	460	300	1280	1105	670	7,6
1017 70 2135	H-PE 70.1340.21-KK-AS 350	700	670	2105	670	350	310	460	300	1280	1105	670	7,9

Fender 3-part semi-trailer for dual tires with or without splash guard system



Product description:

- With bolt in splash guard system in fender (types like MAN-TGA or TGM and TGL)
- Good cooling flexibility and heat resistance (Temperature range: -40°C to approx. +80°C)
- Tightening torque at screw M6 x 25 - 4 N/m
- UV-stability
- High tear resistance
- Good tensile strength
- Complies to EWG-guideline 91/226

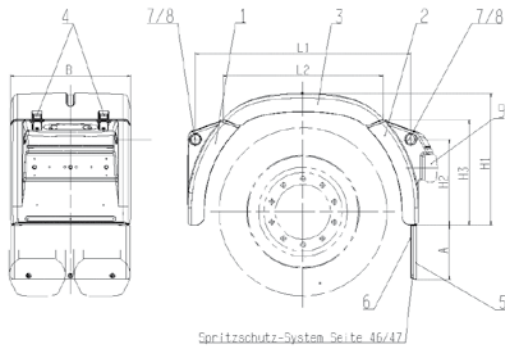
Material: PP-EPDM = modified Polypropylene
Colour: grey (Special colours on demand)

Emblem-print:

- Unicoloured on splash rags possible for an extra charge

Teile-Nr.	Pos.	Name	B mm	L1 mm	L2 mm	H1 mm	H2 mm	H3 mm	A mm	Weight kg
2540 69 003	---	3-part fender long	690	1236	915	750	488	590	---	10,2
2540 69 004	---	3-part fender short	690	1150	850	750	488	590	---	10,0
2540 69 608	1	Fender forepart 690	690	---	---	---	488	590	---	3,4
2540 69 609	2	Fender for road semi-trailer	690	---	---	---	488	590	---	4,1
2540 69 987	2/5/6	Fender with splash guard system AS 376	690	---	---	---	---	---	376	5,8
2540 69 921	2/5/6	Fender with splash guard system AS 310	690	---	---	---	---	---	310	5,6
2540 69 827	2/5/6	Fender with splash guard system AS 217	690	---	---	---	---	---	217	5,5
2540 69 731	2/5/6	Fender with splash guard system AS 124	690	---	---	---	---	---	124	5,3
2540 69 834	2/5	Fender with splash rags SL 376	690	---	---	---	---	---	376	4,8
2540 69 833	2/5	Fender with splash rags SL 310	690	---	---	---	---	---	310	4,6
2540 69 832	2/5	Fender with splash rags SL 217	690	---	---	---	---	---	217	4,5
2540 69 831	2/5	Fender with splash rags SL 124	690	---	---	---	---	---	124	4,4
2540 69 915	3	Fender middle part - long	690	---	915	---	---	---	---	2,7

Fender 3-part semi-trailer for dual tires with or without splash guard system



Product description:

- With bolt in splash guard system in fender (types like MAN-TGA or TGM and TGL)
- Good cooling flexibility and heat resistance (Temperature range: -40°C to approx. +80°C)
- Tightening torque at screw M6 x 25 - 4 N/m
- UV-stability
- High tear resistance
- Good tensile strength
- Complies to EWG-guideline 91/226

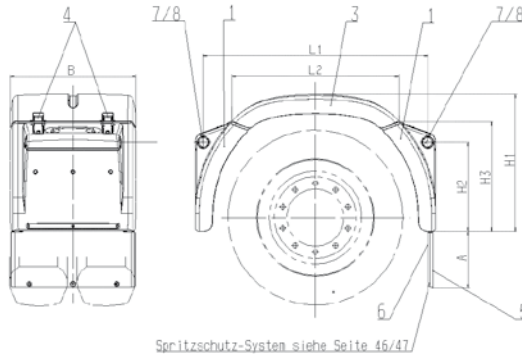
Material: PP-EPDM = modified Polypropylene
Colour: grey (Special colours on demand)

Emblem-print:

- Unicoloured on splash rags possible for an extra charge

Teile-Nr.	Pos.	Name	B mm	L1 mm	L2 mm	H1 mm	H2 mm	H3 mm	A mm	Weight kg
2540 69 003	---	3-part fender long	690	1236	915	750	488	590	---	10,2
2540 69 004	---	3-part fender short	690	1150	850	750	488	590	---	10,0
2540 69 850	3	Fender middle part – short	690	---	850	---	---	---	---	2,5
1769 40 200	4	Bungee strap	---	---	---	---	---	---	---	0,05
2540 00 001	7	Cover sideways	---	---	---	---	---	---	---	0,01
2540 00 004	8	Cover sideways for side marker lights	---	---	---	---	---	---	---	0,01
2540 00 003	9	Lamp-extension	---	---	---	---	---	---	---	0,01

Fender 3-part truck/trailer for dual tires with and without splash guard system



Product description:

- With bolt in splash guard system in fender (types like MAN-TGA or TGM and TGL)
- Good cooling flexibility and heat resistance (Temperature range: -40°C to approx. +80°C)
- Tightening torque at screw M6 x 25 - 4 N/m
- Complies to EWG-guideline 91/226
- UV-stability
- High tear resistance
- Good tensile strength

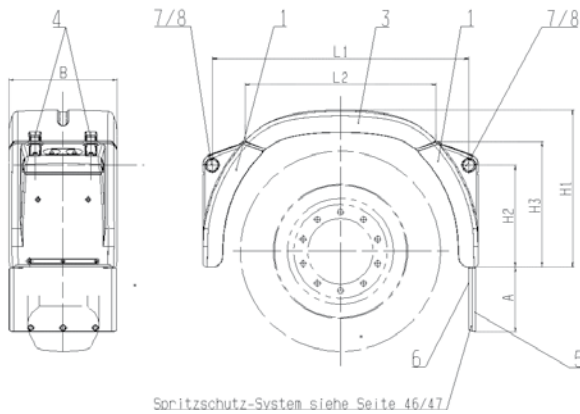
Material: PP-EPDM = modified Polypropylene
Colour: grey (Special colours on demand)

Emblem-print:

- Unicoloured on splash rags possible for an extra charge

Teile-Nr.	Pos.	Name	B mm	L1 mm	L2 mm	H1 mm	H2 mm	H3 mm	A mm	Weight kg
2540 69 001	---	3-part fender long	690	1236	915	750	488	590	---	9,5
2540 69 002	---	3-part fender short	690	1150	850	750	488	590	---	9,3
2540 69 608	1	Fender frontpart	690	---	---	---	488	590	---	3,4
2540 69 957	1/5/6	Fender with splash guard system AS 376	690	---	---	---	---	---	376	5,1
2540 69 891	1/5/6	Fender with splash guard system AS 310	690	---	---	---	---	---	310	4,9
2540 69 797	1/5/6	Fender with splash guard system AS 217	690	---	---	---	---	---	217	4,8
2540 69 701	1/5/6	Fender with splash guard system AS 124	690	---	---	---	---	---	124	4,6
2540 69 804	1/5	Fender with splash rags SL 376	690	---	---	---	---	---	376	4,1
2540 69 803	1/5	Fender with splash rags SL 310	690	---	---	---	---	---	310	3,9
2540 69 802	1/5	Fender with splash rags SL 217	690	---	---	---	---	---	217	3,8
2540 69 801	1/5	Fender with splash rags SL 124	690	---	---	---	---	---	124	3,7
2540 69 915	3	Fender middle part - long	690	---	915	---	---	---	---	2,7
2540 69 850	3	Fender middle part - short	690	---	850	---	---	---	---	2,5
1769 40 200	4	Bungee strap	---	---	---	---	---	---	---	0,05
2540 00 001	7	Cover sidewards	---	---	---	---	---	---	---	0,01
2540 00 004	8	Cover sidewards for side marker lights	---	---	---	---	---	---	---	0,01

Fender 3-part truck/trailer for single fitment with and without splash guard system



Product description:

- With bolt in splash guard system in fender (types like MAN-TGA or TGM and TGL)
- Good cooling flexibility and heat resistance (Temperature range: -40°C to approx. +80°C)
- Tightening torque at screw M6 x 25 - 4 N/m
- Complies to EWG-guideline 91/226
- UV-stability
- High tear resistance
- Good tensile strength

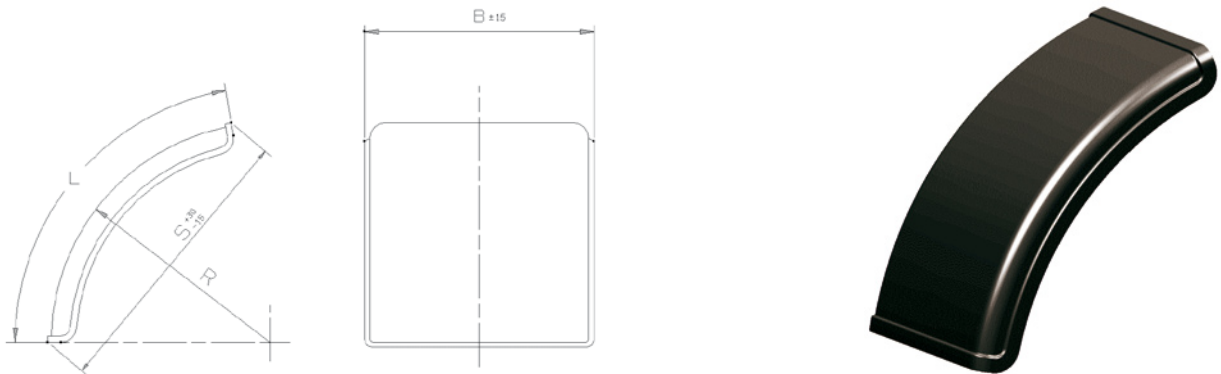
Material: PP-EPDM = modified Polypropylene
Colour: grey (Special colours on demand)

Emblem-print:

- Unicoloured on splash rags possible for an extra charge

Teile-Nr.	Pos.	Name	B	LI	L2	HI	H2	H3	A	Weight
			mm	mm	mm	mm	mm	mm	mm	kg
2540 52 000	---	3-part fender	520	1236	915	750	488	590	---	8,2
2540 52 608	1	Fender forepart 520	520	---	---	---	488	590	---	3
2540 52 957	1/5/6	Fender with splash guard system AS 376	520	---	---	---	---	---	376	4,3
2540 52 891	1/5/6	Fender with splash guard system AS 310	520	---	---	---	---	---	310	4,2
2540 52 797	1/5/6	Fender with splash guard system AS 217	520	---	---	---	---	---	217	4,1
2540 52 701	1/5/6	Fender with splash guard system AS 124	520	---	---	---	---	---	124	4
2540 52 804	1/5	Fender with splash rags SL 376	520	---	---	---	---	---	376	3,5
2540 52 803	1/5	Fender with splash rags SL 310	520	---	---	---	---	---	310	3,4
2540 52 802	1/5	Fender with splash rags SL 217	520	---	---	---	---	---	217	3,3
2540 52 801	1/5	Fender with splash rags SL 124	520	---	---	---	---	---	124	3,2
2540 52 915	3	Fender middle part 520	520	---	915	---	---	---	---	2,2
1769 40 200	4	Bungee strap	---	---	---	---	---	---	---	0,05
2540 00 001	7	Cover sideways	---	---	---	---	---	---	---	0,01
2540 00 004	8	Cover sideways for side marker lights	---	---	---	---	---	---	---	0,01

Plastic-quarter-fender for single- and dual tires



Product description:

- Good cooling flexibility and heat resistance (Temperature range: -40°C to approx. +80°C)
- UV-stability
- High tear resistance
- Good tensile strength

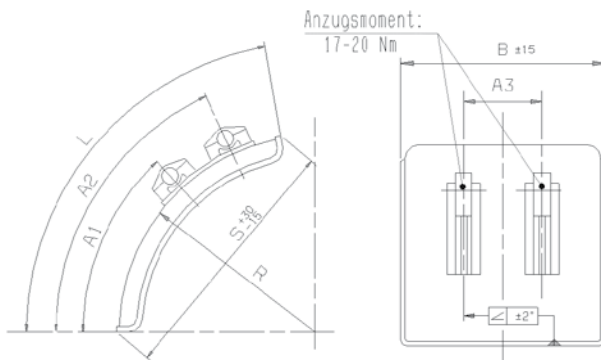
Material: PE = Polyethylene
Colour: black (Special colours on demand)

Type-No.	Name	B Width mm	R Radius mm	L Length mm	S Range	Weight kg
1020 27 060	L-PE 27.580.06	270	660	600	580	0,7
1020 35 070	L-PE 35.685.07	350	650	720	685	1,1
1020 35 110	L-PE 35.980.11	350	650	1100	970	1,8
1020 40 070	L-PE 40.670.07	400	670	700	670	1,2
1020 40 071	L-PE 40.670.07 SL	400	670	700	670	1,3
1020 40 072	L-PE 40.670.07*	400	670	700	670	1,2
1020 40 090	L-PE 40.795.09	400	670	840	795	1,6
1020 40 091	L-PE 40.795.09 SL	400	670	840	795	1,7
1020 40 120	L-PE 40.1025.12	400	700	1140	1025	2,5
1020 45 070	L-PE 45.650.07	450	670	700	670	1,5
1020 45 110	L-PE 45.950.11	450	650	1060	950	2,7
1020 50 070	L-PE 50.660.07	500	560	700	660	1,6
1020 55 070	L-PE 55.670.07	550	650	700	650	1,7
1020 55 080	L-PE 55.740.08	550	500	810	740	2,0
1020 60 050	L-PE 60.475.05	600	640	490	475	1,4
1020 60 060	L-PE 60.600.06	600	640	620	600	1,6
1020 60 090	L-PE 60.810.09	600	550	915	810	2,7
1020 65 060	L-PE 65.615.06	650	640	640	615	1,6
1020 65 070	L-PE 65.670.07	650	670	700	670	2,0
1020 65 090	L-PE 65.810.09	650	550	920	810	2,7
1020 65 100	L-PE 65.870.10	650	650	950	870	2,8
1020 67 060	L-PE 67.615.06	670	640	640	615	1,6
1020 70 090	L-PE 70.810.09	700	550	910	810	2,5

SL = with built in splash rag

* = with spotlight

Plastic-quarter-fender KK for single- and dual tires



Product description:

- Good cooling flexibility and heat resistance (Temperature range: -40°C to approx. +80°C)
- UV-stability
- High tear resistance
- Good tensile strength

Material:

PE = Polyethylene

Colour:

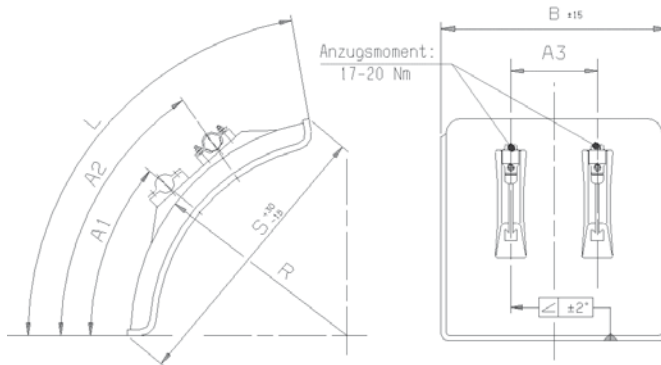
black (Special colours on demand)

Fender holder:

welded on

Type-No.	Name	B Width mm	R Radius mm	L Length mm	S Range	A1 mm	A2 mm	A3 mm	Weight kg
1021 35 110	L-PE 35.980.11-KK	350	650	1100	970	590	770	150	2,3
1021 45 110	L-PE 45.950.11-KK	450	650	1060	950	590	770	150	2,9
1021 50 070	L-PE 50.660.07-KK	500	560	700	660	360	540	300	2,0
1021 55 070	L-PE 55.670.07-KK	550	650	700	650	360	540	300	2,2
1021 60 050	L-PE 60.475.05-KK	600	640	490	475	260	440	300	2,0
1021 60 090	L-PE 60.810.09-KK	600	550	915	810	390	570	300	3,4
1021 65 060	L-PE 65.615.06-KK	650	640	640	615	310	490	300	2,3
1021 65 090	L-PE 65.810.09-KK	650	550	920	810	390	570	300	2,8
1021 65 100	L-PE 65.870.10-KK	650	650	950	870	405	585	300	3,1
1021 70 090	L-PE 70.810.09-KK	700	550	910	810	390	570	300	3,1

Plastic-quarter-fender IKK for single- and dual tires



Product description:

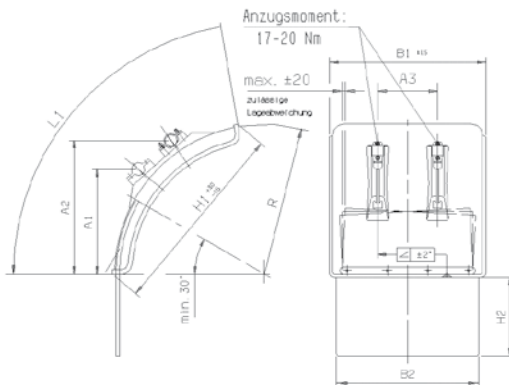
- **NEW:** with inbuilt holder (of a piece)
- Good cooling flexibility and heat resistance (Temperature range: -40°C to approx. +80°C)
- UV-stability
- High tear resistance
- Good tensile strength

Material: PE = Polyethylene
Colour: black (Special colours on demand)
Fender holder: inbuilt

Type-No.	Name	B Width mm	R Radius mm	L Length mm	S Range	A1 mm	A2 mm	A3 mm	Weight kg
1021 27 060	L-PE 27.580.06-IKK	270	660	600	580	310	490	150	1,4
1021 35 070	L-PE 35.685.07-IKK	350	650	720	685	390	610	150	1,7
1021 40 070	L-PE 40.670.07-IKK	400	670	700	670	390	570	150	1,8
1021 40 071	L-PE 40.670.07-IKK SL	400	670	700	670	390	570	150	1,9
1021 40 072	L-PE 40.670.07-IKK MS	400	670	700	670	390	570	150	1,8
1021 40 090	L-PE 40.795.09-IKK	400	670	840	795	390	570	150	2,1
1021 40 091	L-PE 40.795.09-IKK SL	400	670	840	795	390	570	150	2,2
1021 40 120	L-PE 40.1025.12-IKK	400	700	1140	1025	590	770	150	2,8
1021 45 070	L-PE 45.670.07-IKK	450	670	700	670	390	570	150	2,4
1021 45 071	L-PE 45.670.07-IKK SL	450	670	700	670	390	570	150	2,5
1021 55 080	L-PE 55.740.08-IKK	550	500	810	740	390	610	300	2,4
1021 60 060	L-PE 60.600.06-IKK	600	640	620	600	360	540	300	2,2
1021 60 080	L-PE 60.745.08-IKK	600	660	800	745	399	512	300	2,3
1021 65 070	L-PE 65.670.07-IKK	650	670	700	670	360	540	300	2,4
1021 65 071	L-PE 65.670.07-IKK SL	650	670	700	670	390	570	300	2,4
1021 67 060	L-PE 67.615.06-IKK	670	640	640	615	310	490	300	2,4
1021 69 080	L-PE 69.745.08-IKK	690	660	780	745	399	512	300	2,8

SL = with built in splash rag
MS = with spotlight

Plastic-quarter-fender IKK for single- and dual tires with splash guard system



Product description:

- **NEW:** with inbuilt holder (of a piece)
- With bolt-on splash guard system (plastic ravel) in fender
- Good cooling flexibility and heat resistance (Temperature range: -40°C to approx. +80°C)
- UV-stability
- High tear resistance
- Good tensile strength
- Complies to EWG-guideline 91/226
- Tightening torque at screw M6x 25 4 N/m

Material:

PE = Polyethylene

Colour:

black (Special colours on demand)

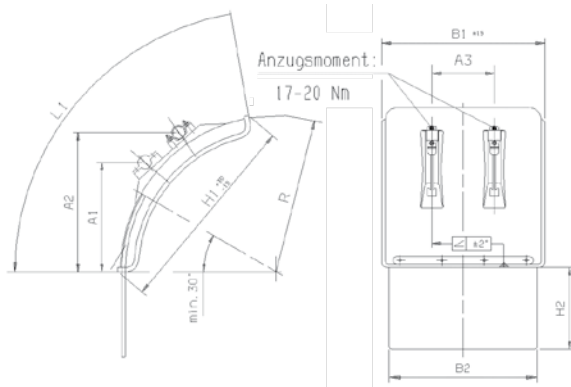
Fender holder:

inbuilt

Type-No.	Name	B1 Width mm	B2 Width mm	R Radius mm	LI Length mm	HI mm	H2 mm	A1 mm	A2 mm	A3 mm	Weight kg
1027 35 0725	3507 IKK AS 250	350	320	650	720	685	250	422	532	150	2,6
1027 35 0730	3507 IKK AS 300	350	320	650	720	685	300	422	532	150	2,7
1027 35 0735	3507 IKK AS 350	350	320	650	720	685	350	422	532	150	2,8
1027 40 0725	4007 IKK AS 250	400	370	670	700	670	250	400	515	150	2,8
1027 40 0730	4007 IKK AS 300	400	370	670	700	670	300	400	515	150	2,9
1027 40 0735	4007 IKK AS 350	400	370	670	700	670	350	400	515	150	3,0
1027 40 07252*	4007 IKK MS AS 250	400	370	670	700	670	250	400	515	150	2,8
1027 40 07302*	4007 IKK MS AS 300	400	370	670	700	670	300	400	515	150	2,9
1027 40 07352*	4007 IKK MS AS 350	400	370	670	700	670	350	400	515	150	3,0
1027 40 0925	4009 IKK AS 250	400	370	670	840	795	250	420	540	150	3,1
1027 40 0930	4009 IKK AS 300	400	370	670	840	795	300	420	540	150	3,2
1027 40 0935	4009 IKK AS 350	400	370	670	840	795	350	420	540	150	3,3
1027 40 1225	4012 IKK AS 250	400	370	700	1140	1025	250	575	660	150	3,8
1027 40 1230	4012 IKK AS 300	400	370	700	1140	1025	300	575	660	150	3,9
1027 40 1235	4012 IKK AS 350	400	370	700	1140	1025	350	575	660	150	4,0

* = with spotlight

Plastic-quarter-fender IKK for single- and dual tires with splash guard system



Product description:

- **NEW:** with inbuilt holder (of a piece)
- With bolt-on splash guard system in fender (types like MAN-TGA or TGM and TGL)
- Good cooling flexibility and heat resistance (Temperature range: -40°C to approx. +80°C)
- Tightening torque M6 x 25 4 N/m
- UV-stability
- High tear resistance
- Good tensile strength
- Complies to EWG-guideline 91/226

Material: PE = Polyethylene
Colour: black (Special colours on demand)
Fender holder: inbuilt

Emblem-print:

- Unicoloured on splash rags possible for an extra charge

Type-No.	Name	B1 Width mm	B2 Width mm	R Radius mm	L Length mm	HI mm	H2 mm	A1 mm	A2 mm	A3 mm	Weight kg
1027 45 07124	4507 IKK AS 124	450	520	670	700	670	124	400	515	150	3,4
1027 45 07217	4507 IKK AS 217	450	520	670	700	670	217	400	515	150	3,5
1027 45 07310	4507 IKK AS 310	450	520	670	700	670	310	400	515	150	3,6
1027 45 07376	4507 IKK AS 376	450	520	670	700	670	376	400	515	150	3,7
1027 55 08124	5508 IKK AS 124	550	500	500	810	670	124	390	610	300	3,6
1027 55 08217	5508 IKK AS 217	550	500	500	810	670	217	390	610	300	3,8
1027 55 08310	5508 IKK AS 310	550	500	500	810	670	310	390	610	300	3,9
1027 55 08376	5508 IKK AS 376	550	500	500	810	670	376	390	610	300	4,0
1027 60 06124	6006 IKK AS 124	600	690	640	620	600	124	340	463	300	3,4
1027 60 06217	6006 IKK AS 217	600	690	640	620	600	217	340	463	300	3,6
1027 60 06310	6006 IKK AS 310	600	690	640	620	600	310	340	463	300	3,7
1027 60 06376	6006 IKK AS 376	600	690	640	620	600	376	340	463	300	3,9
1027 65 07124	6507 IKK AS 124	650	690	670	700	670	124	400	515	300	3,6
1027 65 07217	6507 IKK AS 217	650	690	670	700	670	217	400	515	300	3,8
1027 65 07310	6507 IKK AS 310	650	690	670	700	670	310	400	515	300	3,9
1027 65 07376	6507 IKK AS 376	650	690	670	700	670	376	400	515	300	4,0

Plastic-fender cap

Product description:

- Good cooling flexibility and heat resistance (Temperature range: -40°C to approx. $+80^{\circ}\text{C}$)
- UV-stability
- High tear resistance
- Good tensile strength

Material: PP-EPDM = modified Polypropylene
Colour: black (Special colours on demand)

Emblem:

- Raised emblem possible on demand

Trailer fender

Standard with and without slotted holes

Type-No.	1036 45 640	
Name	Trailer	
Width mm	450	B
Height mm	640	H
Depth mm	130	T
Weight kg	1,2	



Trailer fender long

Standard with and without slotted holes

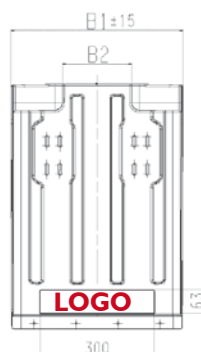
Type-No.	1036 45 730	
Name	Trailer with bump	
Width mm	450	B1
Width mm	370	B2
Height mm	730	H1
Height mm	640	H2
Depth mm	130	T
Weight kg	1,45	



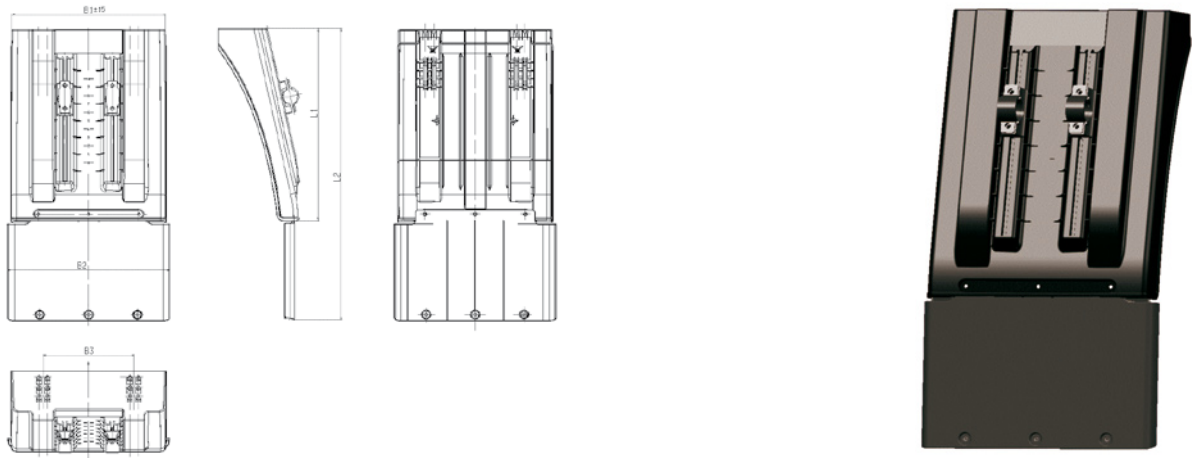
Trailer fender with bag

with and without slotted holes

Type-No.	1036 45 642	
Name	Trailer with bags	
Width mm	450	B1
Width mm	180	B2
Height mm	640	H
Depth mm	130	T
Weight kg	1,2	



Vario-fender with and without splash rags



Product description:

- Good cooling flexibility and heat resistance (Temperature range: -40°C to approx. +80°C)
- UV-stability
- High tear resistance
- Good tensile strength
- Delivery without clamp holder

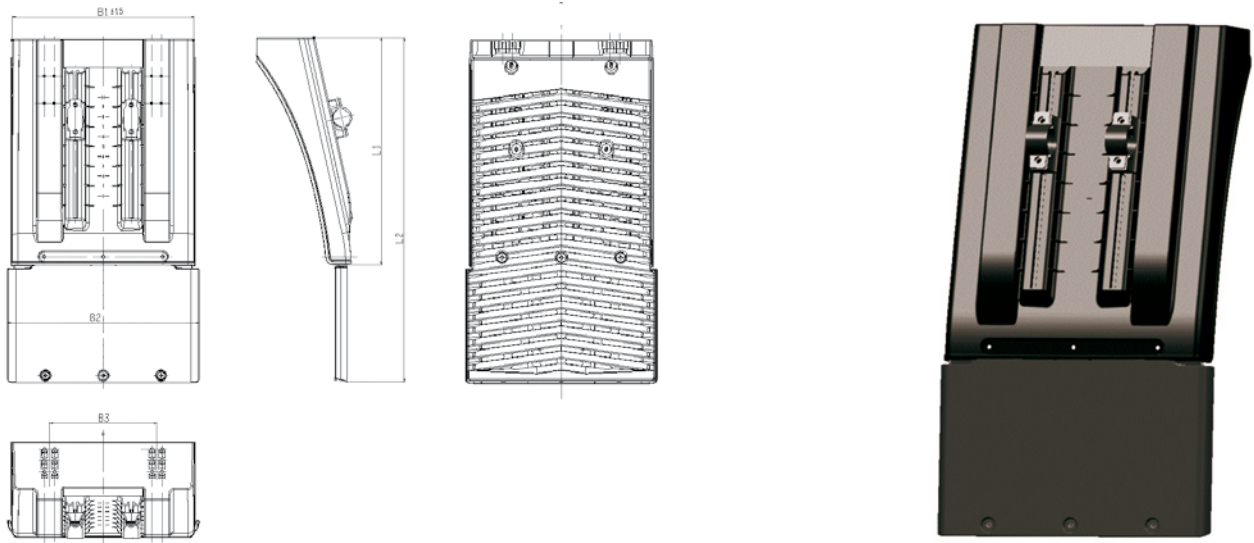
Material: PE = Polyethylene
Colour: black (Special colours on demand)

Mounting possibility:

- Upper bolting without additional parts
- By the use of 2 pieces clamp holder Ø42, Ø48, Ø52 mm (for an extra charge, please order additionally)

Type-No.	Name	B1 Width mm	B2 mm	B3 mm	L1 Length mm	L2 Length mm	Weight kg
1020 49 040	Vario short	490	---	288	412	---	1,4
1021 49 04124	Vario short SL124	490	514	288	412	536	1,6
1021 49 04217	Vario short SL217	490	514	288	412	629	1,7
1021 49 04310	Vario short SL310	490	514	288	412	722	1,8
1021 49 04376	Vario short SL376	490	514	288	412	788	1,9
1020 49 060	Vario long	490	---	288	608	---	2,1
1021 49 06124	Vario long SL124	490	514	288	608	732	2,3
1021 49 06217	Vario long SL217	490	514	288	608	825	2,4
1021 49 06310	Vario long SL310	490	514	288	608	918	2,5
1021 49 06376	Vario long SL376	490	514	288	608	984	2,6

Vario-fender with splash guard system



Product description:

- Good cooling flexibility and heat resistance (Temperature range: -40°C to approx. +80°C)
- With bolt-in splash guard system (types like MAN-TGA or TGM and TGL)
- UV-stability
- High tear resistance
- Good tensile strength
- Complies to EWG-guideline 91/226
- Tightening torque M6 x 25 4 N/m
- Delivery without clamp

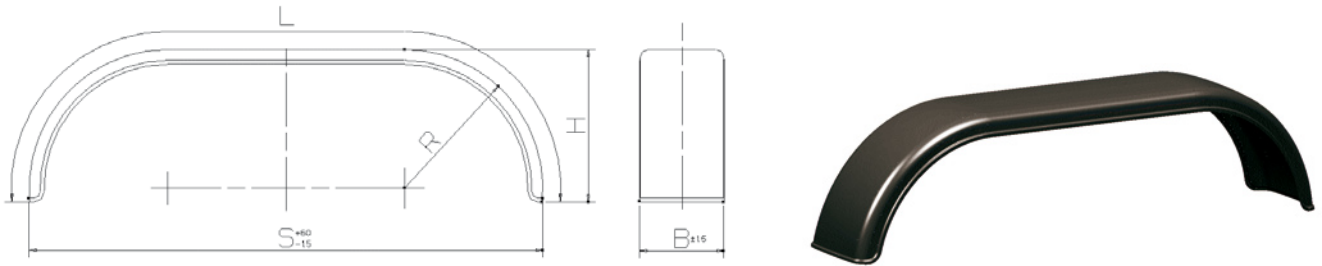
Material: PE = Polyethylene
Colour: black (Special colours on demand)

Mounting possibility:

- Upper bolting without additional parts
- By the use of 2 pieces clamp holder Ø42, Ø48, Ø52 mm (for an extra charge, please order additionally)

Type-No.	Name	B1 Width mm	B2 mm	B3 mm	L1 Length mm	L2 Length mm	Weight kg
1020 49 06124	Vario long AS 124	490	514	288	608	732	3,3
1020 49 06217	Vario long AS 217	490	514	288	608	825	3,5
1020 49 06310	Vario long AS 310	490	514	288	608	918	3,8
1020 49 06376	Vario long AS 376	490	514	288	608	984	3,9

Plastic-double-axis-fender for trailer with dual tires



Product description:

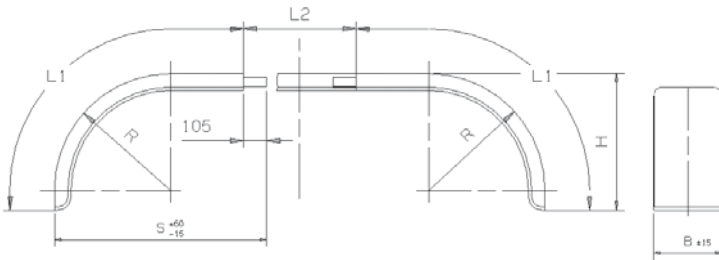
- Good cooling flexibility and heat resistance (Temperature range: -40°C to approx. +80°C)
- UV-stability
- High tear resistance
- Good tensile strength

Material: PE = Polyethylene

Colour: black (Special colours on demand)

Type-No.	Name	B	R	L	S	H	Weight kg
		Width mm	Radius mm	Length mm	Range	Height mm	
1030 43 360	DK-PE 43.2700.36	430	700	3550	2600	770	11,0
1030 43 490	DK-PE 43.3950.49	430	700	4900	3950	780	12,0

Plastic-double- and three-axis fender, 3-parts in separate parts for single- and dual tires



Product description:

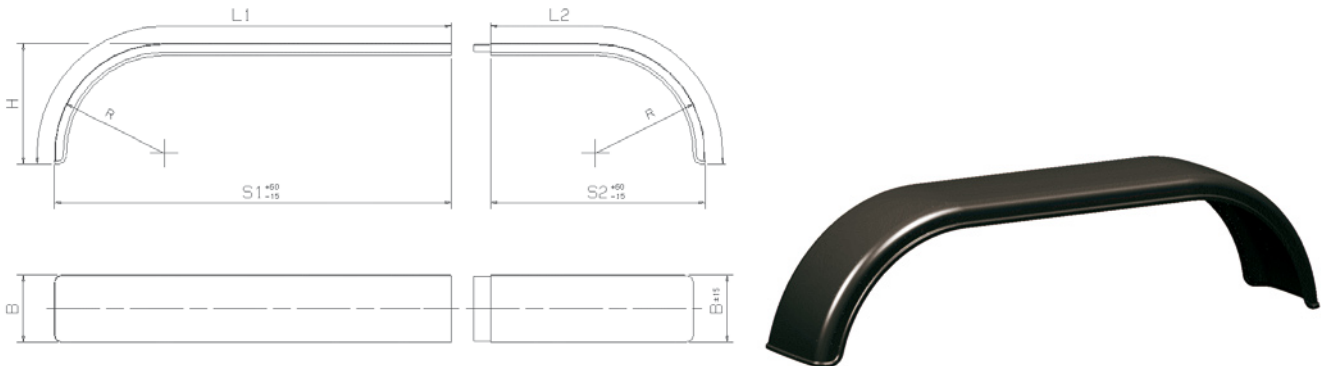
- Good cooling flexibility and heat resistance (Temperature range: -40°C to approx. +80°C)
- UV-stability
- High tear resistance
- Good tensile strength

Material: PE = Polyethylene

Colour: black (Special colours on demand)

Type-No.	Name	B Width mm	R Radius mm	LI Length mm	L2 Length mm	S Range	H Height mm	Weight kg
1040 45 150	DM-PE 4515	450	---	---	1480	---	---	5,0
1040 65 150	DM-PE 6515	650	---	---	1500	---	---	6,6
1050 45 190	DE-PE 4519	450	670	1800	---	1370	770	5,5
1050 65 190	DE-PE 6519	650	670	1840	---	1370	770	7,2

Plastic- three-axis fender 2-parts in separate parts for single- and dual tires



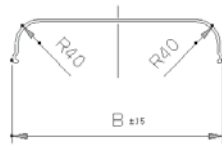
Product description:

- Good cooling flexibility and heat resistance (Temperature range: -40°C to approx. +80°C)
- UV-stability
- High tear resistance
- Good tensile strength

Material: PE = Polyethylene
Colour: black (Special colours on demand)

Type-No.	Name	B	R	LI	L2	SI	S2	H	Weight kg
		Width mm	Radius mm	Length mm	Length mm	Range	Range	Height mm	
1045 43 300	DE-PE 4330	430	700	3003	---	2534	---	770	8,5
1045 43 184	DE-PE 4318	430	700	---	1840	---	1370	770	5,0

Plastic-middle part for single tires



Profil 40 -
Randhöhe ca. 80 mm



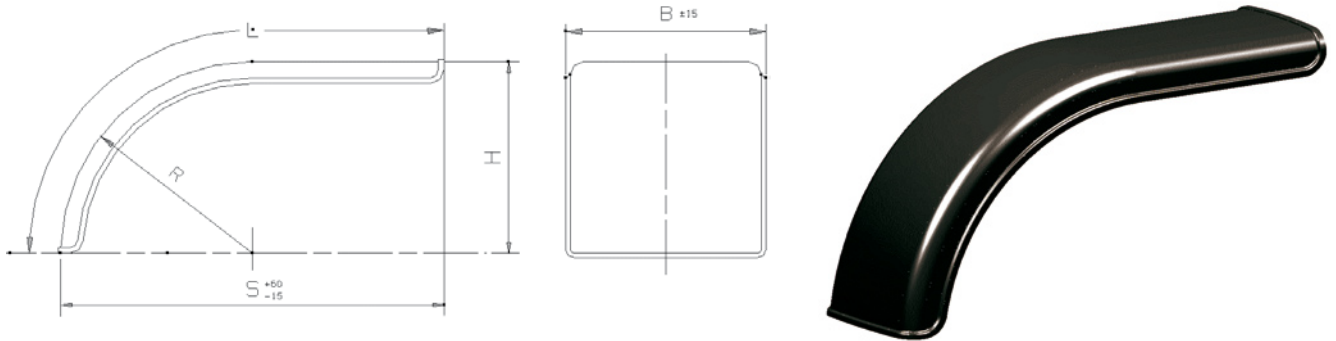
Product description:

- Good cooling flexibility and heat resistance (Temperature range: -40°C to approx. +80°C)
- UV-stability
- High tear resistance
- Good tensile strength

Material: PE = Polyethylene
Colour: black (Special colours on demand)

Type-No.	Name	B Width mm	L Length mm	Weight kg
1040 40 094	DM-PE 40.940 straight middle part	400	930	1,6
1040 45 090	DM-PE 45.900 straight middle part	450	900	1,7
1040 45 150	DM-PE 45.1500 straight middle part	450	1500	2,5
1040 50 094	DM-PE 50.940 straight middle part	500	940	2,2

Plastic-front wheel fender for single- and dual tires

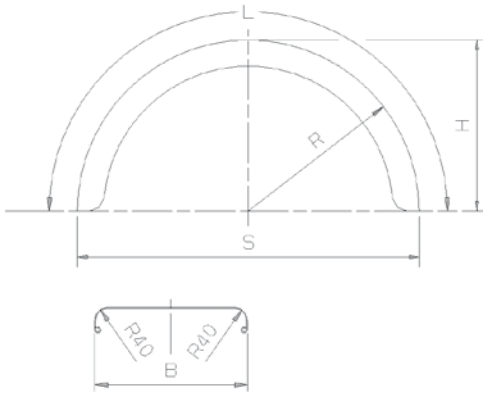


Product description:

- Good cooling flexibility and heat resistance (Temperature range: -40°C to approx. +80°C)
 - UV-stability
 - High tear resistance
 - Good tensile strength
- Material:** PE = Polyethylene
Colour: black (Special colours on demand)

Type-No.	Name	Width mm	Radius mm	Length mm	Range	Height mm	Weight kg
1045 45 190	VK-PE 4519	450	670	1800	1370	770	5,5
1045 65 190	VK-PE 6519	650	670	1840	1370	770	7,2

Sheet metal-back wheel fender for dual tires

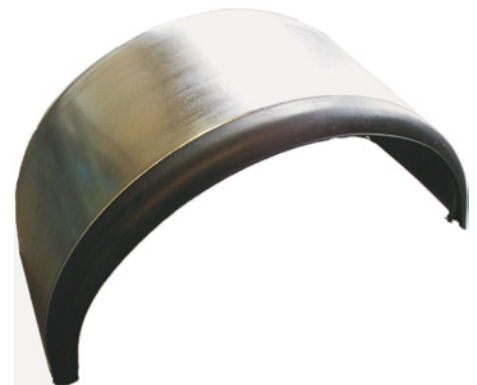
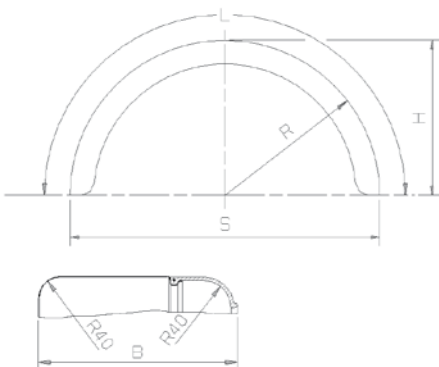


Product description:

Version: Rim profile 40 mm
Material: Sheet metal 1.0 mm
Surface treatment: zincd

Type-No.	Name	B Width mm	R Radius mm	L Length mm	S Range	H Height mm	Weight kg
1411 65 220	HK 65.1300.22	650	650	2200	1300	730	13,0

Rubber rim-back wheel sheet metal fender for dual tires

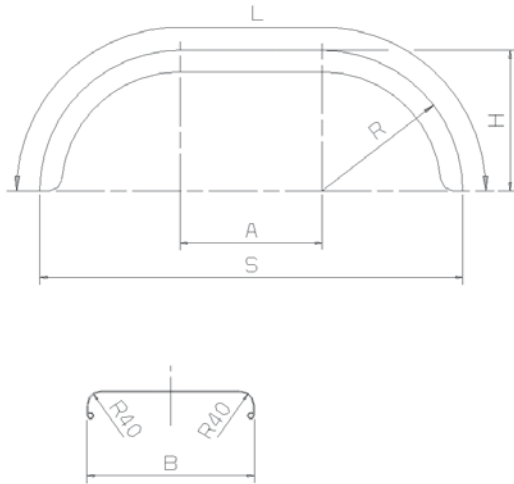


Product description:

Version: a) with changeable 100 mm wide rubber band
 b) Rim profile 40 mm, rim highness approx. 65 mm
Material: Sheet metal 1.5 mm
Surface treatment: zincd

Type-No.	Name	B Width mm	R Radius mm	L Length mm	S Range	H Height mm	Weight kg
1451 65 210	GHK 65.1340.21/100	650	670	2160	1340	670	19,0

Sheet metal-double-axis fender completely welded



Product description:

Version:

- a) 3-parts, welded
- b) Rim profile 40 mm, Rim highness circa 60 mm

Material:

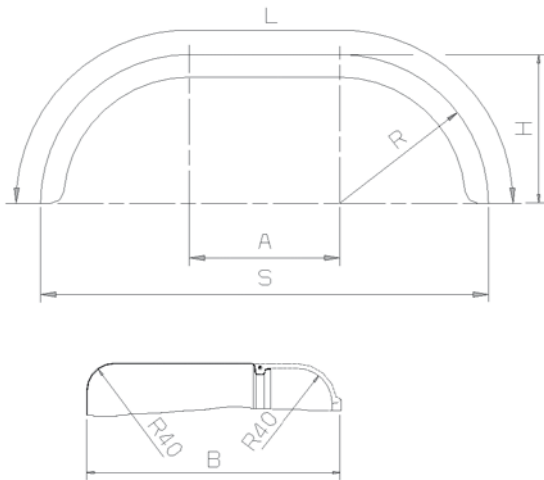
Sheet metal 1.0 mm

Surface treatment:

zincd

Type-No.	Name	B Width mm	R Radius mm	L Length mm	S Range mm	H Height mm	A Centre distance	Weight kg
1423 65 360	DK 65.2700.36 gs	650	650	3600	2700	730	1400	21,6
1423 65 400	DK 65.3100.40 gs	650	650	4000	3100	730	1800	24,0

Rubber rim double-axis fender



Product description:

Version:

- a) 3-parts welded
- b) With changeable, 100 mm wide rubber band
- c) Rubber rim profile 40 mm, rim highness ca. 60 mm

Material:

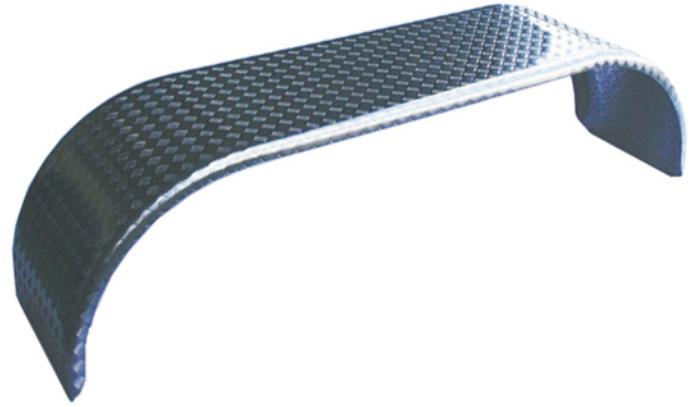
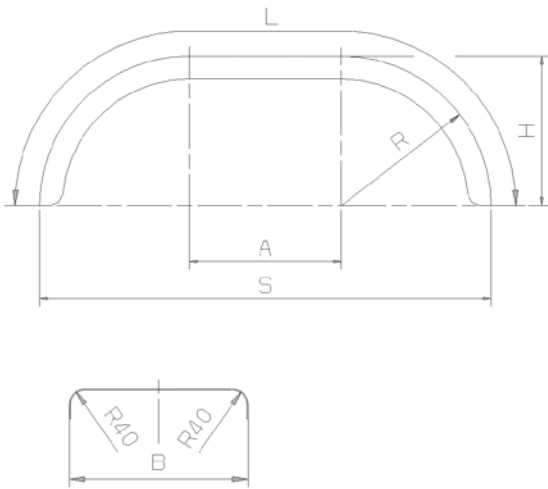
Sheet metal 1.5 mm

Surface treatment:

zincd

Type-No.	Name	B Width mm	R Radius mm	L Length mm	S Range	H Height mm	A Centre distance	Weight kg
1452 65 360	GDK 65.2700.36/100	650	650	3600	2700	730	1400	32,8
1452 65 380	GDK.65.2800.38/100	650	700	3800	2800	780	1440	33,5

Aluminum-double-axis fender

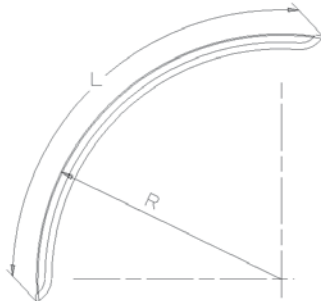


Product description:

Version: Alu-chequer plate 3.5/5 mm, deburred

Type-No.	Name	B Width mm	R Radius mm	L Length mm	S Range	H Height mm	A Centre distance	Weight kg
1523 65 360	DK 65.2700.36	650	650	3600	2700	730	1400	29,3

Plastic fender for tractors



Product description:

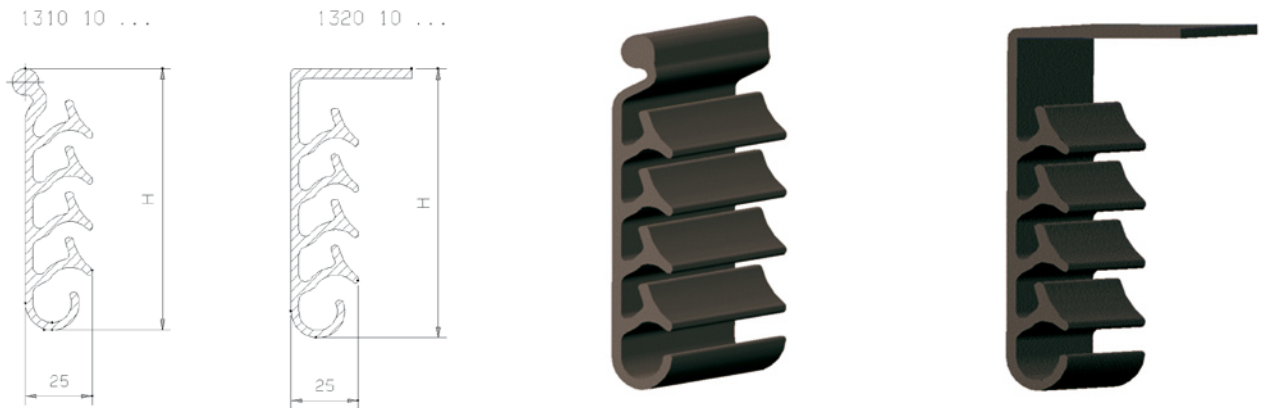
- Good cooling flexibility and heat resistance (Temperature range: -40°C to approx. +80°C)
- UV-stability
- High tear resistance
- Good tensile strength

Material: PE = Polyethylene
PP-EPDM = Polypropylene

Colour: black (Special colours on demand)

Type-No.	Name	B Width mm	R Radius mm	L Length mm	Weight kg	Material
1060 18 070	HS-PE 1807	180	440	700	0,5	PE
1060 23 080	HS-PE 2308	230	480	800	0,7	PE
1060 25 090	HS-PE 2509	250	525	920	0,8	PE
1060 26 100	HS-PE 2610	265	615	1000	0,9	PE
1060 30 090	HS-PE 3009	300	590	950	1,0	PE
1060 32 100	HS-PE 3210	320	640	1070	1,1	PE
1060 33 120	HS-PE 3312	330	720	1180	1,4	PE
1060 35 100	HS-PE 3510	350	650	1090	1,3	PE
1060 37 130	FS-PP 3713	370	720	1280	1,7	PP
1060 42 120	HS-PE 4212	420	725	1200	1,7	PE
1060 42 130	FS-PP 4213	420	720	1315	1,6	PP
1060 42 150	FS-PP 4215	420	740	1440	1,8	PP
1060 47 130	HS-PE 4713	470	790	1330	2,2	PE
1060 48 150	FS-PP 4815	480	780	1440	2,3	PP
1060 47 220	HS-PE 4722	470	964	2200	3,8	PE
1060 54 150	FS-PP 5415	540	810	1540	2,9	PP
1060 55 220	HS-PE 5522	550	964	2200	5,0	PE
1060 61 190	HS-PE 6119	610	900	1900	4,4	PE
1060 62 150	FS-PP 6215	620	810	1560	3,3	PP

Splash guard cap



Product description:

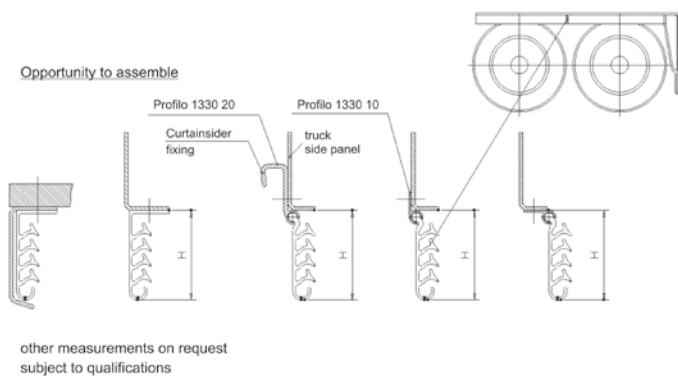
- The special profile reduces the spray mist according to 91/226 by up to 92.65 %

Material: PE = Polyethylene

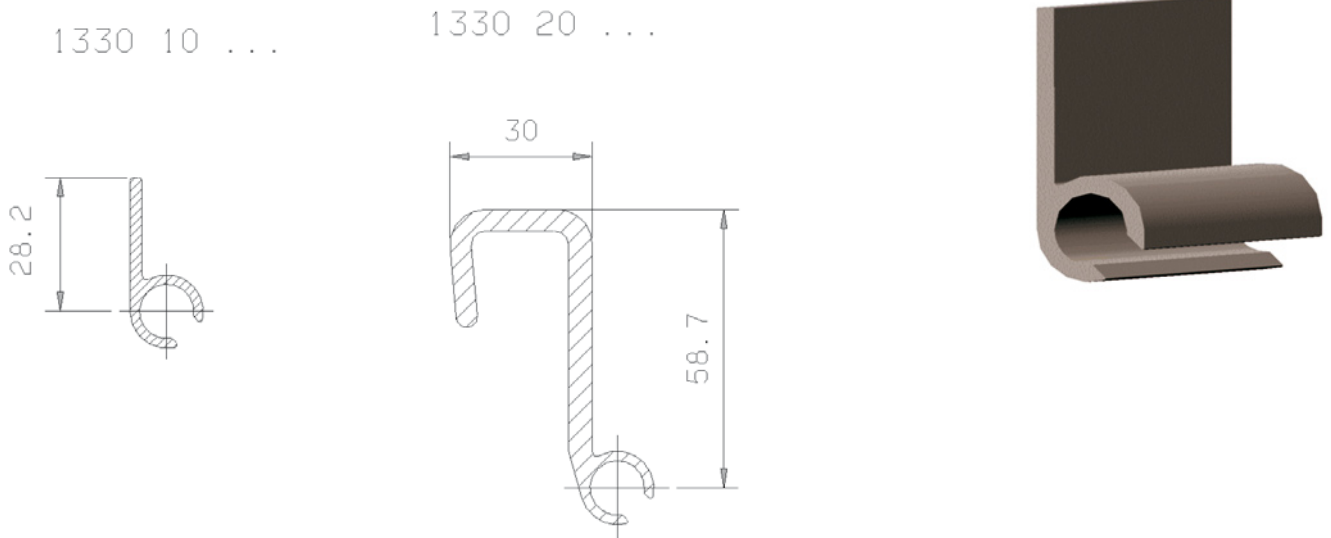
Colour: black

Type-No.	Name	H Height mm	Length mm	Weight kg
1310 10 300	Splash guard cap to slide-in	100	3000	2,6
1310 10 350	Splash guard cap to slide-in	100	3500	3,0
1310 10 380	Splash guard cap to slide-in	100	3800	3,3
1310 10 420	Splash guard cap to slide-in	100	4200	3,6
1310 16 380	Splash guard cap to slide-in	160	3800	5,2
1320 10 300	Splash guard cap to screw on	100	3000	2,8
1320 10 350	Splash guard cap to screw on	100	3500	3,3
1320 10 380	Splash guard cap to screw on	100	3800	3,6
1320 10 420	Splash guard cap to screw on	100	4200	3,9

Holder profiles for type 1310 10 ... see page 45



Holder profile for splash guard cap



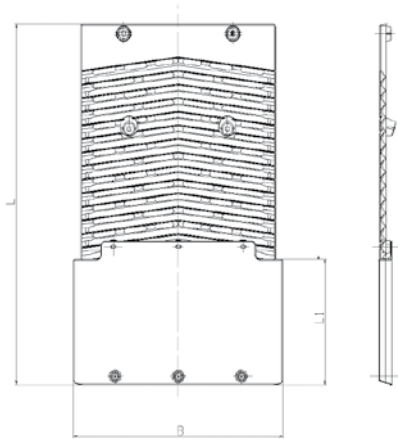
Product description:

- To screw-on on the truck-sidewall

Material: Aluminum, plain, surface untreated

Type-No.	Name	Length mm	Weight kg
1330 10 300	Holding-profile, small, non-perforated for 1310 10 300	3000	1,0
1330 10 350	Holding-profile, small, non-perforated for 1310 10 350	3500	1,2
1330 10 380	Holding-profile, small, non-perforated for 1310 10 380	3800	1,3
1330 10 420	Holding-profile, small, non-perforated for 1310 10 420	4200	1,4
1330 20 350	Holding-profile, big, non-perforated for 1310 10 350	3500	5,0
1330 20 380	Holding-profile, big, non-perforated for 1310 10 380	3800	5,4
1330 20 420	Holding-profile, big, non-perforated for 1310 10 420	4200	5,9

Splash guard system



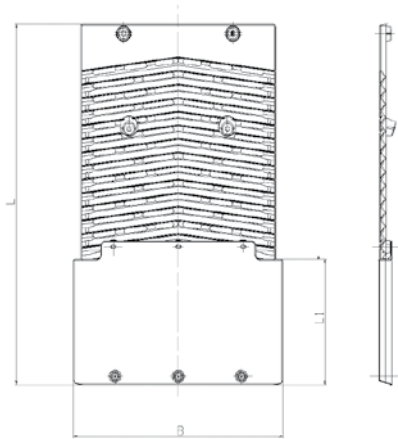
Product description:

- Good cooling flexibility and heat resistance (Temperature range: -40°C to approx. +80°C)
- UV-stability
- High tear resistance
- Good tensile strength
- Complies to EWG-guideline 91/226
- For bolting-on on fender

Material: PP-EPDM = modified Polypropylene
Colour: black

Type-No.	Name	B Width mm	L Length mm	LI Length mm	Weight kg	fitting for fender width
1369 52 945	Splash guard system complete 376	520	945	376	1,3	450 - 550mm
1369 52 878	Splash guard system complete 310	520	878	310	1,2	450 - 550mm
1369 52 785	Splash guard system complete 217	520	785	217	1,1	450 - 550mm
1369 52 692	Splash guard system complete 124	520	692	124	1,0	450 - 550mm
1369 57 595	Splash guard system complete 196	570	573	196	1,4	560 - 700mm
1369 57 550	Splash guard system complete 163	570	540	163	1,2	560 - 700mm
1369 69 945	Splash guard system complete. 376	690	945	376	1,7	560 - 700mm
1369 69 878	Splash guard system complete 310	690	878	310	1,5	560 - 700mm
1369 69 785	Splash guard system complete 217	690	785	217	1,4	560 - 700mm
1369 69 692	Splash guard system complete 124	690	692	124	1,2	560 - 700mm
1368 52 376	Splash rags loose 376	520	---	376	0,5	450 - 550mm
1368 52 310	Splash rags loose 310	520	---	310	0,4	450 - 550mm
1368 52 217	Splash rags loose 217	520	---	217	0,3	450 - 550mm
1368 52 124	Splash rags loose 124	520	---	124	0,2	450 - 550mm
1368 57 273	Splash rags loose 273	570	---	196	0,4	560 - 700mm
13 68 57 226	Splash rags loose 226	570	---	163	0,3	560 - 700mm

Splash guard system



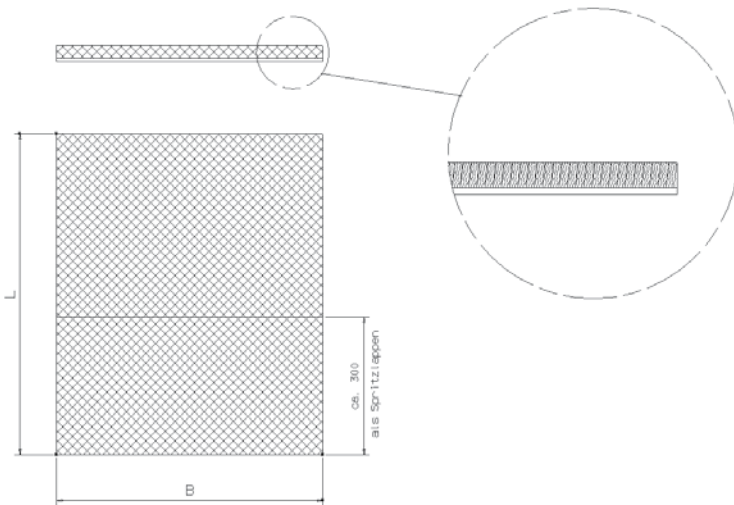
Product description:

- Good cooling flexibility and heat resistance (Temperature range: -40°C to approx. +80°C)
- UV-stability
- High tear resistance
- Good tensile strength
- Complies to EWG-guideline 91/226
- for bolting-on on fender

Material: PP-EPDM = modified Polypropylene
Colour: black

Type-No.	Name	B Width mm	L Length mm	LI Length mm	Weight kg	fitting for fender width
1368 69 376	Splash rags loose 376	690	---	376	0,7	560 - 700 mm
1368 69 310	Splash rags loose 310	690	---	310	0,4	560 - 700 mm
1368 69 217	Splash rags loose 217	690	---	217	0,4	560 - 700 mm
1368 69 124	Splash rags loose 124	690	---	124	0,3	560 - 700 mm

Splash guard mat



Product description:

- Complies to EWG-guideline 91/226

Colour: black

Type-No.	Name	B Width mm	L Length mm	Weight kg	fitting for fender width
1370 38 070	Splash guard mat	380	700	2,9	400 mm - 440 mm
1370 43 070	Splash guard mat	430	700	3,3	450 mm - 490 mm
1370 48 070	Splash guard mat	480	700	3,6	500 mm - 540 mm
1370 53 070	Splash guard mat	530	700	4,0	550 mm - 590 mm
1370 58 070	Splash guard mat	580	700	4,4	600 mm - 640 mm
1370 61 070	Splash guard mat	610	700	4,6	630 mm - 670 mm
1370 65 070	Splash guard mat	650	700	4,9	670 mm - 700 mm
1370 99 999	Fastening set *				

* **Fastening set contains:**

- 9 pieces of hexagon bolts DIN 933 – M6x25 – Dacromete-coated
- 18 pieces of discs DIN 902 – 6,4 – zined
- 9 pieces of bolt nuts DIN 985 – M6 – Dacromete-coated

KS-R-panel



Product description:

a) Panel-L (Long Version)

- With clamp and screw M10 x 30 mm for supporting tube diameter $\varnothing 40 - \varnothing 42.5$ and $\varnothing 52$ mm
- For bolting-on on the supporting tube, $\varnothing 40 - \varnothing 42.5$ mm and $\varnothing 52$ mm
- Flat-rolled steel 40 x 5 mm zincd
- With square holes for carriage bolts

b) Panel-K (short version), rest like explanation a)

Type-No.	Name	Weight kg
1484 00 000	KS-R Panel -K straight $\varnothing 40-42$ mm ku	0,6
1484 50 000	KS-R500 I Panel $\varnothing 40-42,5$ mm lg	0,8
1484 50 100	KS R500 k Panel $\varnothing 40-42,5$ mm ku	0,6
1484 60 000	KS-R600 I Panel $\varnothing 40-42,5$ mm lg	0,8
1484 65 000	KS-R650 I Panel $\varnothing 40-42,5$ mm lg	0,8
1484 65 050	KS-R650 I Panel $\varnothing 52$ mm lg	0,8

Sliding panel

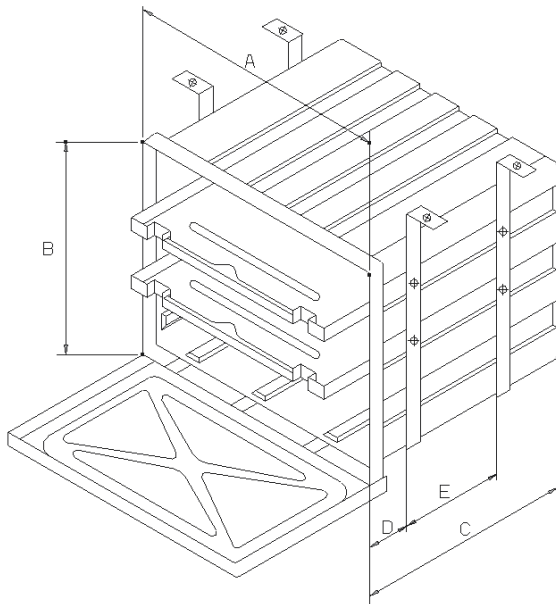


Product description:

- With clamp and screw M10 x 30 for supporting tube diameter 40 – 42.5
- For all types of fender with R 600 – 700
- For all plastic- and sheet metal fender
- Height-adjustable
- Galvanic zincd

Type-No.	Name	Weight kg
1486 65 040	Sliding panel $\varnothing 40-42,5$ mm, bended	0,8
1486 00 040	Sliding panel $\varnothing 40-42,5$ mm, straight	0,8

Plastic-Toolboxes



Product description:

- Good cooling flexibility and heat resistance (Temperature range: -40°C to approx. +80°C)
- Splash-proof
- Additional foam rubber sealing
- 3 plastic hinges
- 2 safety rotary locks
- 2 protecting caps
- UV-stability
- High tear resistance
- Good tensile strength

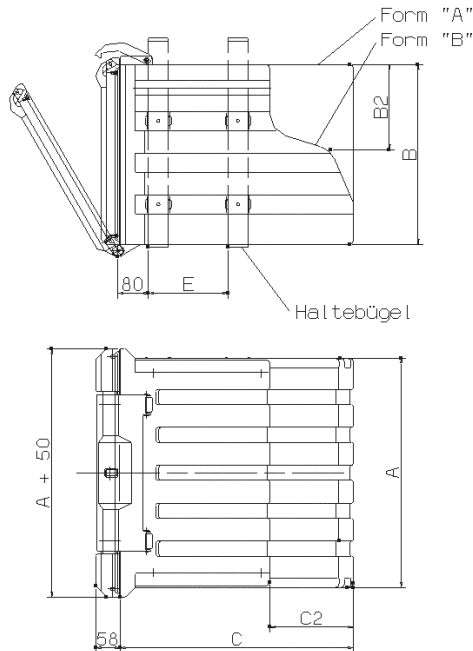
Material: PE = Polyethylene

Colour: black

Accessories: drawer and shelf

Type-No.	Name	A Width mm	B Height mm	C Depth mm	D mm	E mm	Weight kg	Retaining bracket Type-No.	drawer Type-No.	shelf Type-No.
1070 10 000	WK-PE 1 with safety rotary locks	400	250	440	80	210	6,2	1073 10 000	---	1075 10 000
1070 15 000	WK-PE 15 with safety rotary locks	480	565	440	80	210	8,0	1073 15 000	---	1075 15 000
1070 30 000	WK-PE 3 with safety rotary locks	620	360	610	80	370	10,5	1073 20 000	1069 91 590	1075 30 000
1070 30 100	WK-PE 3 with barrel lock	620	360	610	80	370	10,5	1073 20 000	1069 91 590	1075 30 000
1070 40 000	WK-PE 4 with safety rotary locks	620	480	510	80	270	10,9	1073 40 000	1069 91 490	1075 40 000
1070 40 100	WK-PE 4 with barrel lock	620	480	510	80	270	10,9	1073 40 000	1069 91 490	1075 40 000
1070 70 000	WK-PE 7 with safety rotary locks	800	360	460	80	210	10,0	1073 70 000	---	1075 70 000

Plastic-Toolbox with chopper bar



Product description:

- Closure:
 - First security by sealing cap (of impact-resistant plastic)
 - Second security by linchpin (can be changed by padlock)
- Good cooling flexibility and heat resistance (Temperature range: -40°C to approx. +80°C)
- Splash-proof
- Circulating tightening profile
- UV-stability
- High tear resistance
- Good tensile strength

Material: PE = Polyethylene

Colour: black

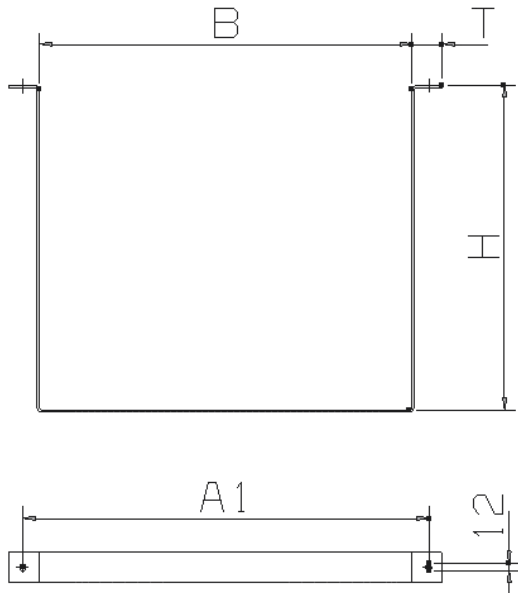
Accessories: drawer and shelf

Emblem-print:

- Unicoloured emblem possible for an extra charge

Type-No.	Name	Form	A Width mm	B/B2 Height mm	C/C2 Depth mm	E mm	Weight kg	Retaining bracket Type-No.	drawer Type-No.	shelf Type-No.
1069 62 510	WK-HP 40	A	620	475/---	510/---	270	11,1	1073 40 000	1069 91 490	1075 40 100
1069 62 600	WK-HP 60	A	620	600/---	610/---	370	12,8	1073 60 000	1069 91 590	1075 30 100
1069 80 460	WK-HP 70	A	800	360/---	460/---	210	12,1	1073 70 000	---	1075 70 100
1069 10 500	WK-HP 80	A	950	500/---	460/---	270	15,6	1073 80 000	---	1075 80 100
1069 62 441	WK-FS 20	A	600	420	390	228	5,8	1073 65 000	1068 60 400	1075 20 100
1069 62 611	WK-FS 30	A	600	420	580	228	7,7	1073 65 000	1068 60 400	1075 30 100
1069 65 650	WK-FS 50	B	600	420/215	610/220	228	6,5	1073 65 000	1068 60 400	1075 50 100

Retaining bracket for plastic toolboxes



Product description:

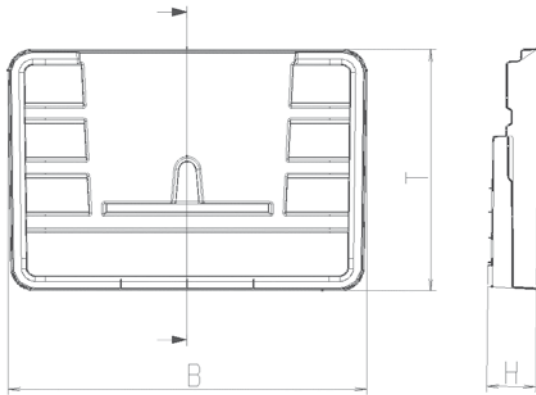
- Retaining bracket of steel 40 x 5 mm
- Galvanic zincd

Type-No.	Retaining bracket for	B Width mm	H Height mm	T mm	A1 mm	Weight kg	Material St37
I073 10 000	WK-PE I	405	315	50	460	3,6	40x5
I073 15 000	WK-PE 15	485	630	50	540	6,0	40x5
I073 20 000	WK-PE 3,5 / WK-HP 20,30	625	420	50	680	5,2	40x5
I073 40 000	WK-PE 4 / WK-HP 40	625	540	50	680	6,0	40x5
I073 65 000	WK-FS 20, 30 u. 50	605	530	50	660	6,6	40x5
I073 60 000	WK-PE 6 / WK-HP 60	625	660	50	680	6,6	40x5
I073 70 000	WK-PE 7 / WK-HP 70	805	420	50	860	5,8	40x5
I073 80 000	WK-HP 80	955	560	50	1010	6,6	40x5

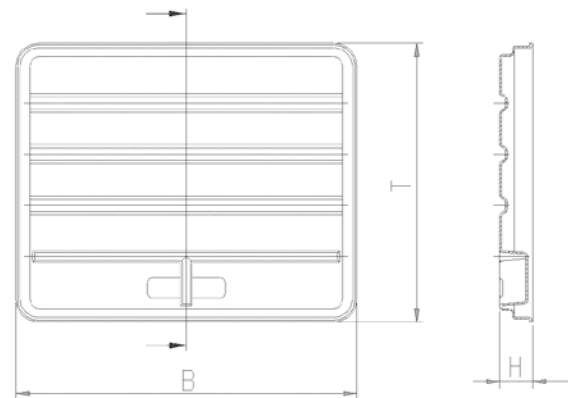
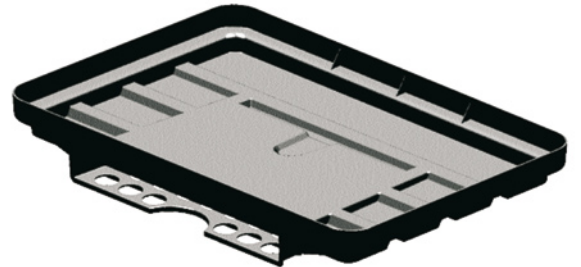
The Retaining bracket set contains:

- 2 zincd retaining brackets
- 8 carriage bolts DIN 603 M8 x 25 zincd
- 8 locknuts DIN 985 M8 zincd
- 8 U-discs DIN 440 f. M8

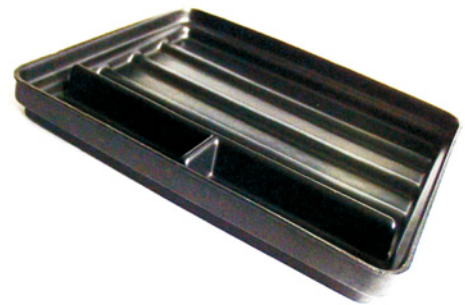
Drawer



Form A



Form B



Product description:

Material: PE = Polyethylene

Colour: black

Type-No.	Form	Drawer for	B mm	T mm	H mm	Weight kg
1068 60 400	A	WK-FS 20,30 u. 50	590	400	80	1
1069 91 490	B	WK-HP 40	601	490	58	1,1
1069 91 590	B	WK-HP 30 u. 60	601	590	58	1,3

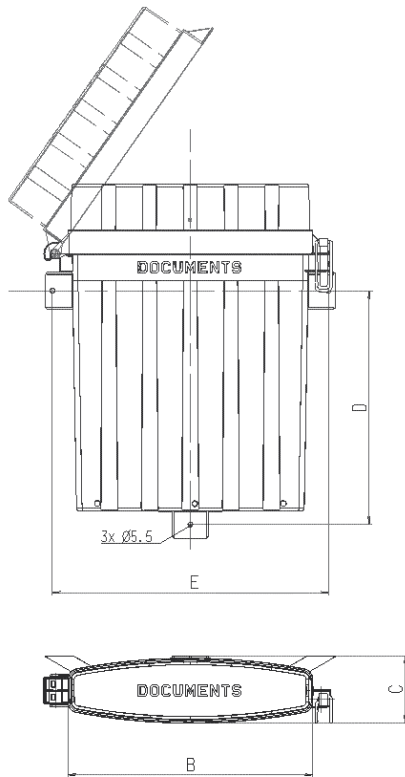
Shelf

Product description:

- On waterproof glue-laminated plywood

Type-No.	Shelf for	Width mm	Depth mm	Thickness mm	Weight kg
1075 10 000	WK-PE 1	365	385	10	0,6
1075 15 000	WK-PE 15	445	385	10	0,8
1075 20 000	WK-PE 2	590	385	10	1,0
1075 30 000	WK-PE 3,5,6	590	560	10	1,5
1075 40 000	WK-PE 4	590	460	10	1,2
1075 70 000	WK-PE 7	765	405	10	1,4
1075 20 100	WK-HP 20	550	390	10	0,9
1075 30 100	WK-HP 30,60	550	560	10	1,4
1075 40 100	WK-HP 40	550	460	10	1,1
1075 50 100	WK-FS 30 u. 50	535	570	10	1,4
1075 70 100	WK-HP 70	730	410	10	1,3
1075 80 100	WK-HP 80	880	450	10	1,8

Bag for documents



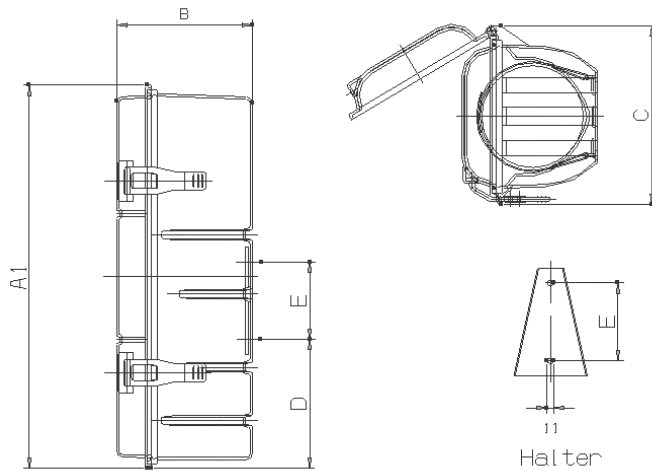
Product description:

- With 3 fixing holes for screw diameter 5 mm
- Lockable by the use of a padlock
- Dimensional stability
- Corresponds the customs regulation

Material: PE = Polyethylene
Colour: black

Type-No.	Name	A Height mm	B Width mm	C Depth mm	D mm	E mm	Weight kg
1068 27 360	Bag for documents 360x270	360	270	76	258	305	0,55
1068 99 102	Tube foldaway splint RK 8-I zined						

Fire-extinguisher cabinet



Product description:

- For fire-extinguisher (6 kg and 9 kg content)
- Two stable hook and loop fastener-tether
- With holder of zinced sheet steel

Material:

PE = Polyethylene

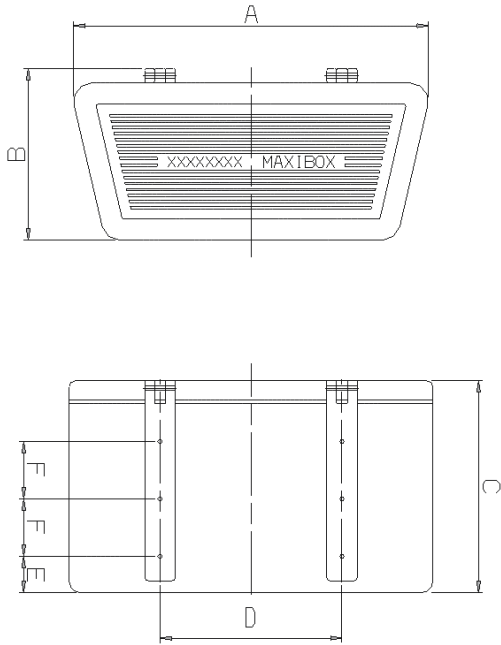
Colour:

Box: black

Cap: red

Type-No.	Name	A1 Height mm	B Depth mm	C Width mm	D mm	E mm	Weight kg
1067 28 600	fire-extinguisher cabinet	639	227	298	215	130	3,6

Plastic-toolbox for car-trailer



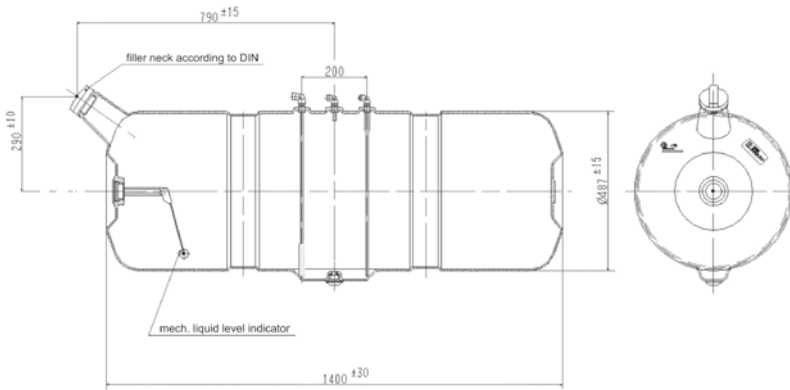
Product description:

- Splash-proof by circulating tightening-profile in cap
- Lockable with discus-padlock through two formed lugs of sheet steel
- On demand with a name-embossing in the area of "x" (max. Size: 150 x 30)
- Discus-padlock countersunk
- Drilling pattern pre-granulated according to chart

Material: PE = Polyethylene
Colour: black

Type-No.	Name	A Width mm	B Height mm	C Depth mm	D mm	E mm	F mm	Weight kg
1068 60 350	WK-PKW I with lock	600	280	350	300	60	95	4,1
1068 60 351	WK-PKW I without lock	600	280	350	300	60	95	4,0
1068 60 999	Discus-padlock 20170							

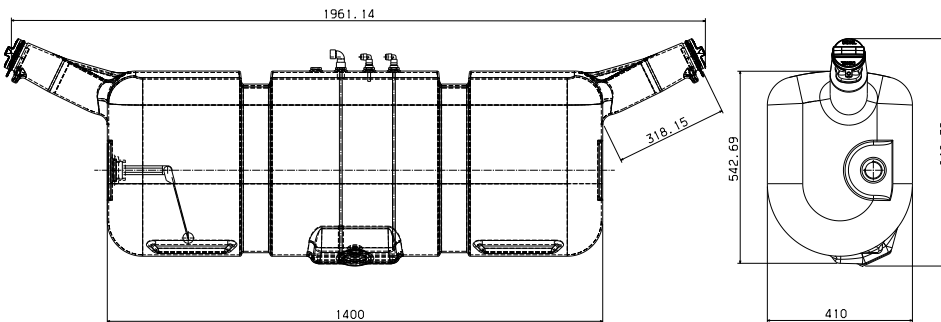
Plastic-Fuel tank 240 liter



Product description:

- Proved according to § 45 StVZO = EG Nr. 70/221/EWG annex I Nr. 97/19 EG
 - With mechanical liquid level indicator
 - Surface structured
- Material:** PE = Polyethylene
Colour: black

Type-No.	Name	Content	Weight kg
1810 50 140	Fuel tank for cooling vehicles	240 Liter	11,0



Type-No.	Name	Content	Weight kg
1810 41 140	Fuel tank with fuel gauge left	240	17,0
1810 41 141	Fuel tank with fuel gauge right	240	17,0
1810 41 142	Fuel tank with fuel gauge left + right	240	17,1

General terms of sale

Franz Sauermann GmbH
Franz Sauermann e. K.

Status: 01. January 2009

§ 1 Area of validity

(1) These terms of sale are valid for all contracts, those due to of commodity orders of our customers (in the following: Orderer) with our house (in the following: Fa. Sauermann) came. We recognize opposing one or of our terms of sale deviating conditions of the orderer on only if we agree expressly in writing the validity. From these terms of sale deviating regulations are effectively us opposite only if these are met by agreement in writing. Such a special arrangement is valid for the case of its conclusion only in each case for the concrete order, not however for subsequent orders. With the delivery of an order, also in verbal or telephonic form, the orderer recognizes these terms of sale obligatory on itself than.

(2) These terms of sale are valid also for all future business with the orderer, as far as it concerns legal transactions of related kind

§ 2 Offer and conclusion of contract

If an order is to be regarded as offer in accordance with § 145 BGB, we can accept these within two weeks. The acceptance does not have to be confirmed compellingly by the company Sauermann verbally or in writing

§ 3 Prices and Payment

(1) If nothing contrary is agreed upon in writing, our prices are valid ex factory excluding packing and transport and plus value added tax in valid in each case height

(2) The payment of the purchase price has to take place exclusively on the account specified on the bill within 30 days starting from invoice date. A departure of discount payment is permissible only when written special agreement.

(3) If the orderer with the payment in delay should turn out, the company Sauermann is entitled to compute interests at a value of 8% over that respective basis interest rate per annum.

(4) If no fixed price agreement was met, appropriate price adjustments remain reserving because of changed costs of distribution, wage and material for supplies, which take place later 3 months or after conclusion of a contract.

§ 4 Summation and right of retention

The right is entitled to the orderer for set-off only if its counterclaims are validly determined or undisputed.

For the practice a right of lien is only to that extent authorized the orderer, when its counterclaim is based on the same contractual relation.

§ 5 Time of delivery

(1) The supply by the company Sauermann takes place within the time for delivery agreed upon in each case. The objection of the not fulfilled contract remains reserving.

(2) If the orderer comes into default of acceptance or if it injures imprisonment for debt other obligations to cooperate, we are entitled, us damage developing to that extent to require including any multi-expenditures replaced. Large requirements remain reserving. If managing conditions are present, the danger of a coincidental fall goes or a coincidental degradation of the purchase thing in the time on the orderer over, in whom this is guessed/advised in acceptance or debt delay.

(3) Further legal requirements and rights of the orderer because of a failure to deliver remain untouched.

§ 6 Transfer of risk at shipment

If the commodity is dispatched when desired the orderer at these, then Sauermann ignores the danger of the coincidental fall or the coincidental degradation of the commodity on the orderer with the sending off at the latest to the orderer, with delivery to the feeder and/or the leaving of the work/plant of the companies.

This is valid independently of whether the degradation of the commodity takes place from the place of delivery or who carries the freight charges.

§ 7 Retention of title

(1) We reserve ourselves the property at the supplied thing up to the complete payment of all demands from the supply contract. This is valid also for all future supplies, even if we do not refer always expressly on that.

We are entitled to take the purchase thing back if the orderer behaves contrary to the terms of the agreement.

(2) The orderer is obligated, as long as the property did not change over yet to him, to treat the purchase thing careful.

In particular it is obligated, these sufficient at the own expense against theft, fire and damages caused by water to the original value to insuring (reference: only permissible with sale of high-quality goods). If maintenance and inspection work must be accomplished, the orderer has to implement these at the own expense in time. In particular it is obligated, these sufficient at the own expense against theft, fire and damages caused by water to the original value to insuring (reference: only permissible with sale of high-quality goods). If maintenance and inspection work must be accomplished, the orderer has to implement these at the own expense in time.

(3) The orderer is entitled to the far sale of the reservation commodity in the normal course of business. The demand of the customer from the far sale of the reservation commodity surrenders the orderer already to us at height of the invoice total amount agreed upon with us (excluding value added tax). This transfer is valid independently of whether the purchase thing without or after processing was resold. The orderer remains authorized to the collection of the demand also after the transfer. Our power to draw in the demand remains untouched by it. We will not draw in however the demand, as long as the orderer follows his payment obligations from taken in proceeds, is not in delay of payment and in particular no request for opening of a insolvency proceedings is posed or default is present.

General terms of sale

Franz Sauermann GmbH
Franz Sauermann e. K.

Status: 01. January 2009

(4) And the processing or reorganization of the purchase thing by the orderer always take place name and on behalf for us. In this case the claim right of the orderer continues at the purchase thing at the transformed thing. If the purchase thing with other, us not belonging articles is processed, we acquire the co-ownership at the new thing in the relationship of the objective value of our purchase thing to other one the worked on articles at present the processing.

The same is valid for the case of Ider mixture. If the mixture takes place in the way the fact that the thing of the orderer is to be regarded as main thing is considered as agreed upon that the orderer transfers us proportionately co-ownership and the all property developed in such a way or co-ownership for us keeps. For the protection of our demands against the orderer the orderer retires also such demands on us, which arise for him by the connection of the reservation commodity with a property against third; we accept this transfer already.

(5) We commit ourselves to release to us being entitled collateral upon the requests of the orderer as far as the demands which can be secured exceed their value around more than 20%

§ 8 Liability of defects and notice of defects as well as regress/manufacturer-regress

(1) Warranty for defects rights of the orderer presuppose, these its investigation and reproach duties owed after § 377 HGB duly followed.

This is valid likewise if the orderer shortfalls or makes covered lack valid. An effective notice of defect presupposes the simultaneous report of the delivery note and invoice number belonging to the order.

(2) Requirements for lack fall under the statute of limitations in 12 months after delivery of the commodity supplied by us with our orderer. Managing regulations are not valid, as far as the law prescribes exceptionally longer periods compellingly. Before any return of the commodity our agreement is to be caught up.

(3) If the supplied commodity should exhibit a lack despite all spent care, which was already present at the time of the passage of the risk, then we will after-fulfill the commodity, subject to notice of defect within the prescribed period after our choice or will supply substitute. It is to be always given us to opportunity to the supplementary performance within appropriate period. Requirements for resort remain untouched by managing regulation without restriction.

(4) If the supplementary performance fails, the orderer - without prejudice to any claims for damages - can withdraw from the contract or reduce the remuneration,

(5) Requirements for lack do not exist in the case of only insignificant deviation from the agreed upon condition, when only insignificant impairment usefulness, with natural wear or wear as with damage, which develops for excessive demand, after the passage of the risk due to incorrect or careless treatment, unsuitable operational funds, or due to special external influences, which are not presupposed after the contract. Are made by the orderer or third inappropriately repair work or changes, then no requirements for lack exist likewise for these and the consequences developing from it.

(6) The costs of serve return of unsatisfactory commodity at us take over we only if us the lack after the managing regulations one indicated, we a return to have agreed in writing and the feeder given by us one assigned.

(7) Requirements of the orderer because of the expenditures, in particular transportation necessary for the purpose of the subsequent performance, way work and material costs are impossible, as far as the expenditures increase, because us us supplied commodity was later spent to another place than the address of the orderer, it are, the placing correspond their intended use.

(8) Requirements for resort of the orderer against us exist only to that extent, when the orderer did not make agreements going beyond the legal compelling requirements for lack with his customer. Furthermore for the range of the requirement for resort of the orderer against the supplier paragraph 6 is valid accordingly.

(9) Costs of a necessary assortment and examination of a complete supply and/or the stocks of the orderer so far costs of recall actions due to unsatisfactorily supplied products of the company Sauermann are taken over by us only against proof and only the case that more than five per cent of the commodity of one calendar year supplied of us was unsatisfactory.

(10) It has to load all claims, which valid an orderer in connection makes against the company Sauermann, these within a set period of exclusion of four weeks starting from supply.

(11) The warranty for defects is limited maximally to the actual value of the supplied commodity including the transport costs. Development installation and removal are not taken over.

§ 9 Miscellaneous

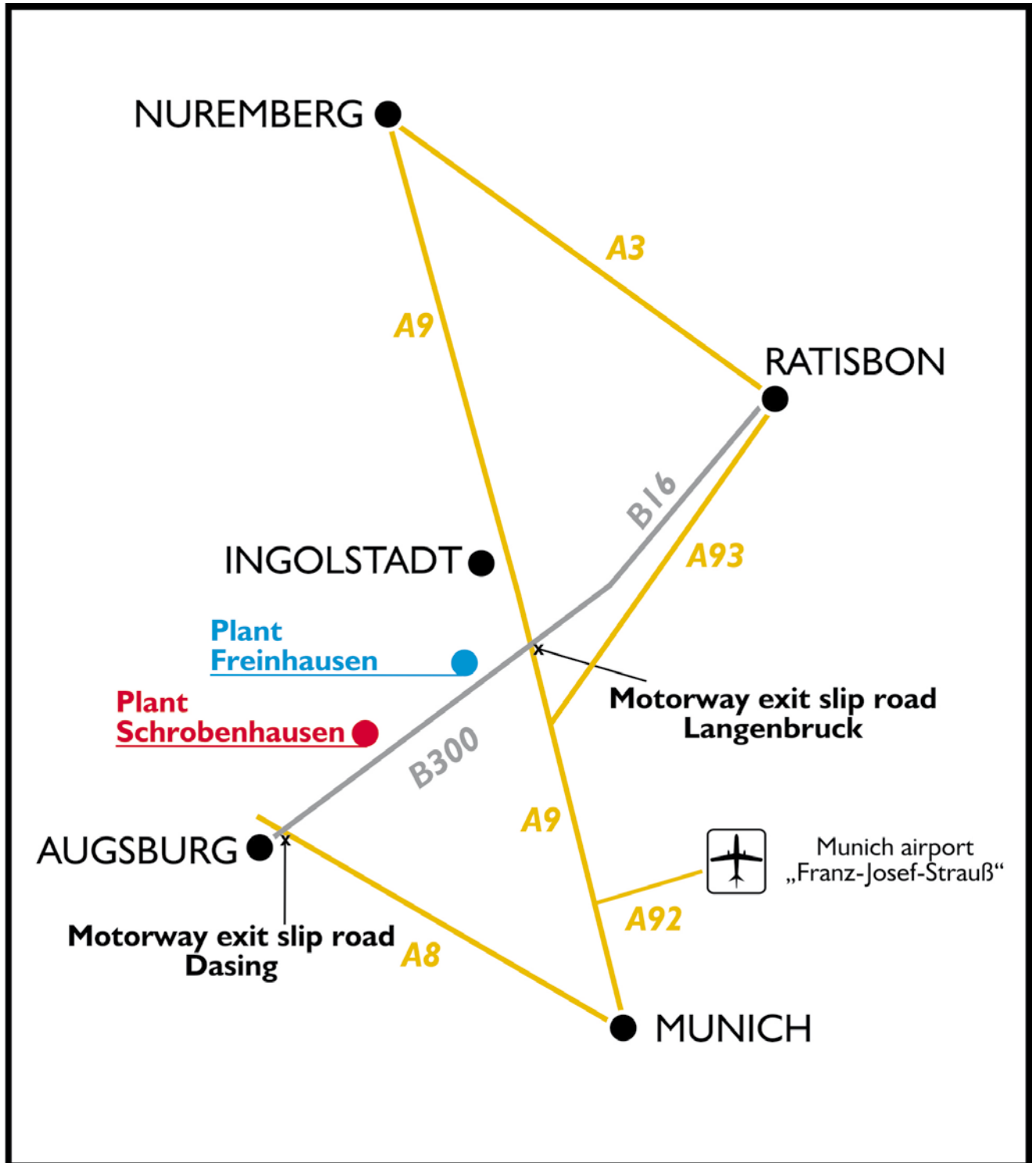
(1) The contact and all and the entired legal relations of the parties are subject to that quite Federal Republic of Germany under exclusion UN purchase-right (CISG)

(2) Place of delivery is our registered place of business, if from the order confirmation different one does not exists. As exclusive area of jurisdiction for all disputes is agreed the AG Neuburg/Donau or the LG Ingolstadt.

(3) All agreements, which are made between the parties for execution of the present treaty, are written down in the present treaty.

(4) If individual regulations of the present treaty should be ineffective or contain a law gap, then the regulations remain of it untouched. The parties commit themselves to make in place of the ineffective regulation such a legally permissible regulation which regulate the economic purpose of the ineffective regulation or closes this law gap.

Route Plan



Distances

Augsburg:	ca. 50 km
Munich airport:	ca. 55 km
Munich:	ca. 65 km
Nuremberg:	ca. 120 km